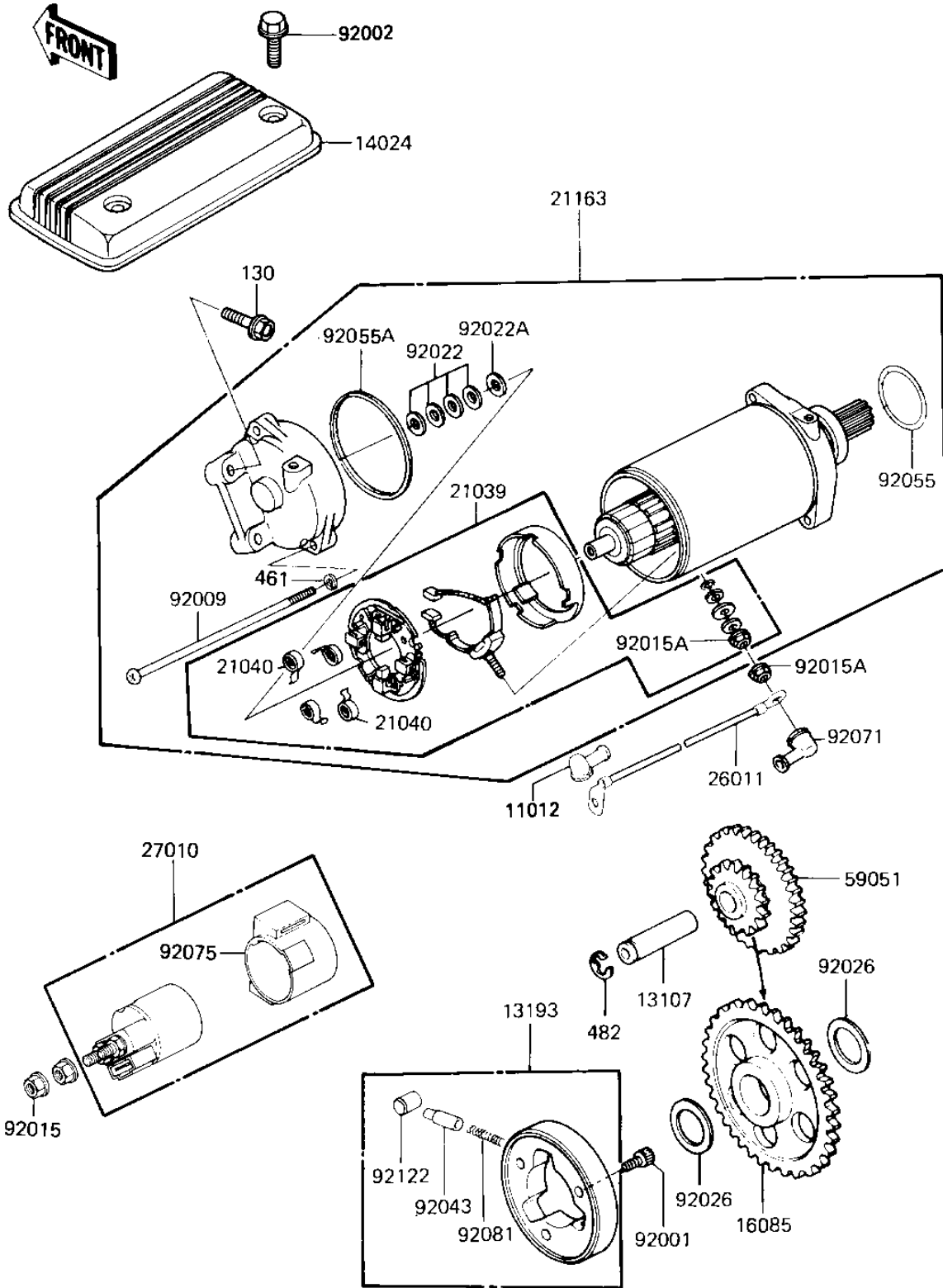


# 1985 GPz PARTS DIAGRAM

## STARTER MOTOR/STARTER CLUTCH

E1840-0060



# 1985 GPz PARTS LIST

## STARTER MOTOR/STARTER CLUTCH

ITEM NAME	PART NUMBER	QUANTITY
CAP,TERMINAL (Ref # 11012)	11012-1354	1
SHAFT,IDLE GEAR (Ref # 13107)	13107-1006	1
CLUTCH ASSY,ONEWAY (Ref # 13193)	13193-1002	1
COVER,STARTER (Ref # 14024)	14025-1655	1
GEAR,ONEWAY CLUTCH (Ref # 16085)	16085-1030	1
BRUSH,CARBON (Ref # 21039)	21039-1053	1
SPRING-BRUSH (Ref # 21040)	21040-1003	4
STARTER-ELECTRIC (Ref # 21163)	21163-1031	1
WIRE-LEAD,START MOTOR (Ref # 26011)	26011-1135	1
SWITCH,MAGNETIC (Ref # 27010)	27010-1235	1
GEAR,STARTER IDLE (Ref # 59051)	59051-1011	1
BOLT,SOCKET,8X10 (Ref # 92001)	92001-1424	3
BOLT,6X16 (Ref # 92002)	92002-1099	2
SCREW,PAN HEAD,6X110 (Ref # 92009)	21015-005	2
NUT-6MM (Ref # 92015)	92015-1078	2
NUT,6MM (Ref # 92015A)	92015-1476	2
WASHER,THRUST,0.2T (Ref # 92022)	21025-011	4
WASHER,THRUST,0.8T (Ref # 92022A)	92022-1132	4
SPACER,25X36X3.2 (Ref # 92026)	92026-1025	2
PIN (Ref # 92043)	92043-132	3
"0" RING,STARTING MTR (Ref # 92055)	21027-004	1
"0" RING,STARTER MOTR (Ref # 92055A)	92055-1086	2
GROMMET,CORD (Ref # 92071)	21017-017	1
DAMPER MAG SWITCH SHK (Ref # 92075)	21064-002	1
SPRING,COIL (Ref # 92081)	92081-159	3
ROLLER (Ref # 92122)	92122-006	1
BOLT,FLANGED,6X25 (Ref # 130)	130G0625	2
WASHER SPRING 5MM (Ref # 461)	461F0500	2
CIRCLIP-TYPE-E,12MM (Ref # 482)	482J0200	1