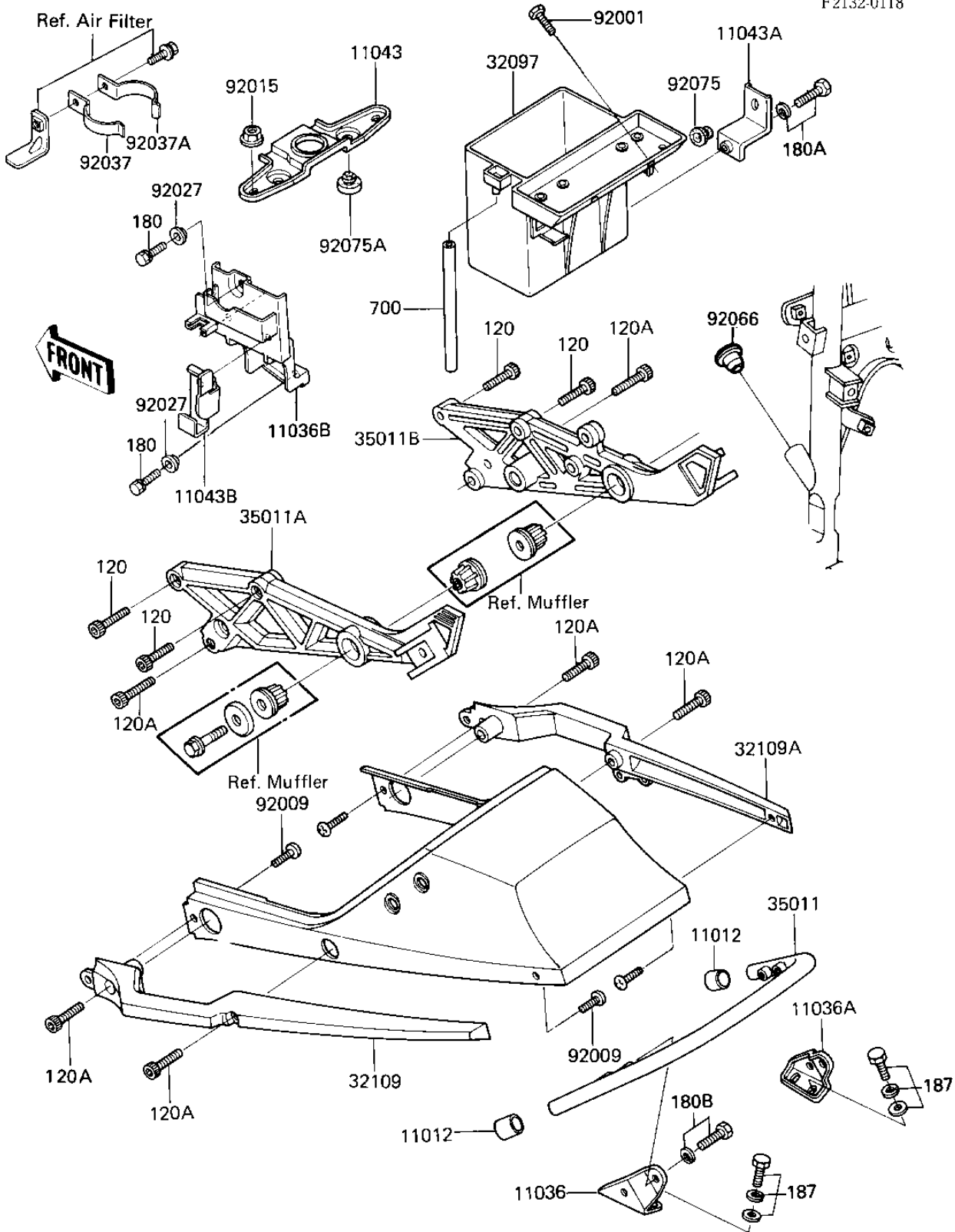


1985 GPz PARTS DIAGRAM

BATTERY CASE/ELECTRO BRACKET

F2132-0118



1985 GPz PARTS LIST

BATTERY CASE/ELECTRO BRACKET

| ITEM NAME | PART NUMBER | QUANTITY |
|--------------------------------------|-------------|----------|
| CAP,RR STAY END (Ref # 11012) | 11012-1290 | 2 |
| BRACKET-A,REAR STAY,L (Ref # 11036) | 11036-1946 | 1 |
| BRACKET-A,REAR STAY,R (Ref # 11036A) | 11036-1947 | 1 |
| BRACKET-A,ELECTRIC BA (Ref # 11036B) | 11036-1948 | 1 |
| BRACKET-B,BATTERY (Ref # 11043) | 11043-1035 | 1 |
| BRACKET-B,IGNITER (Ref # 11043A) | 11043-1218 | 1 |
| BRACKET,BATTERY (Ref # 11043B) | 11043-1368 | 1 |
| CASE-BATTERY (Ref # 32097) | 32097-1068 | 1 |
| GRIP-FRAME,LH (Ref # 32109) | 32109-1042 | 1 |
| GRIP-FRAME,RH (Ref # 32109A) | 32109-1043 | 1 |
| STAY,RR (Ref # 35011) | 35011-1165 | 1 |
| STAY,LH (Ref # 35011A) | 35011-1166 | 1 |
| STAY,RH (Ref # 35011B) | 35011-1167 | 1 |
| BOLT,6X25 (Ref # 92001) | 92001-1870 | 2 |
| SCREW,SEAT COVER (Ref # 92009) | 92009-1186 | 6 |
| NUT,FLANGED,6MM (Ref # 92015) | 92015-1233 | 2 |
| COLLAR,REAR FENDER (Ref # 92027) | 92027-1018 | 2 |
| CLAMP,REAR SHOCK (Ref # 92037) | 92037-1455 | 1 |
| CLAMP,REAR SHOCK (Ref # 92037A) | 92037-1456 | 1 |
| PLUG,9.5X8 (Ref # 92066) | 92066-1077 | 1 |
| DAMPER RUBBER (Ref # 92075) | 92075-078 | 1 |
| DAMPER RUBBER (Ref # 92075A) | 92075-281 | 2 |
| BOLT-SOCKET,8X30,BLAC (Ref # 120) | 120S0830 | 4 |
| BOLT-SOCKET,8X40,BLAC (Ref # 120A) | 120S0840 | 6 |
| BOLT-UPSET-WS,6X14 (Ref # 180) | 180B0614 | 2 |
| BOLT 6X16 (Ref # 180A) | 180B0616 | 1 |
| BOLT-UPSET-WS (Ref # 180) | 180B0620 | 4 |
| BOLT 6X12 (Ref # 187) | 187B0612 | 4 |
| TUBE-VINYL 5X720 (Ref # 700) | 700Q05720 | 1 |