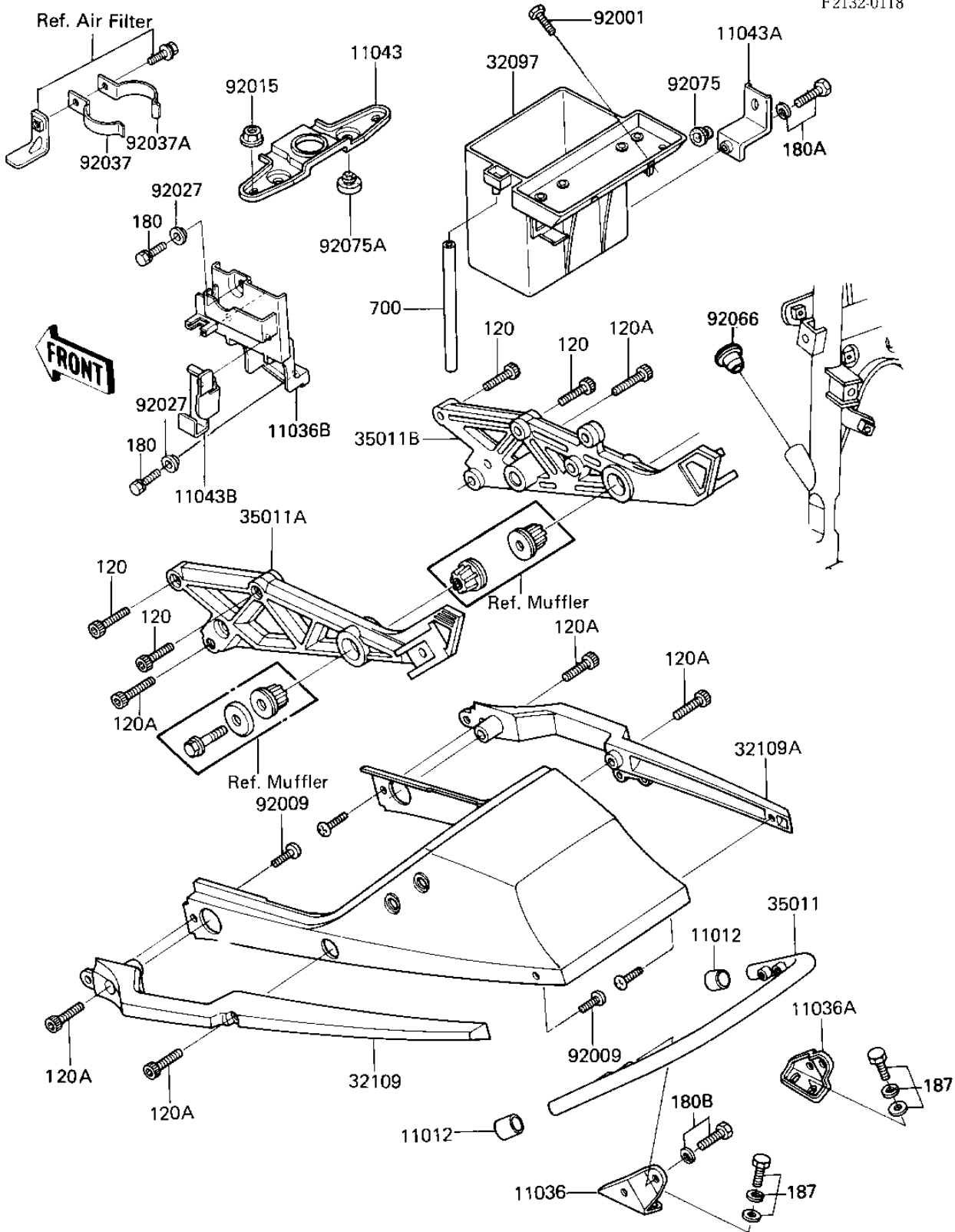


1986 GPz PARTS DIAGRAM

BATTERY CASE/ELECTRO BRACKET

F2132-0118



1986 GPz PARTS LIST

BATTERY CASE/ELECTRO BRACKET

ITEM NAME	PART NUMBER	QUANTITY
CAP,RR STAY END (Ref # 11012)	11012-1290	2
BRACKET-A,REAR STAY,L (Ref # 11036)	11036-1946	1
BRACKET-A,REAR STAY,R (Ref # 11036A)	11036-1947	1
BRACKET-A,ELECTRIC BA (Ref # 11036B)	11036-1948	1
BRACKET-B,BATTERY (Ref # 11043)	11043-1035	1
BRACKET-B,IGNITER (Ref # 11043A)	11043-1218	1
BRACKET,BATTERY (Ref # 11043B)	11043-1368	1
CASE-BATTERY (Ref # 32097)	32097-1068	1
GRIP-FRAME,LH (Ref # 32109)	32109-1042	1
GRIP-FRAME,RH (Ref # 32109A)	32109-1043	1
STAY,RR (Ref # 35011)	35011-1165	1
STAY,LH (Ref # 35011A)	35011-1166	1
STAY,RH (Ref # 35011B)	35011-1167	1
BOLT,6X25 (Ref # 92001)	92001-1870	2
SCREW,SEAT COVER (Ref # 92009)	92009-1186	6
NUT,FLANGED,6MM (Ref # 92015)	92015-1233	2
COLLAR,REAR FENDER (Ref # 92027)	92027-1018	2
CLAMP,REAR SHOCK (Ref # 92037)	92037-1455	1
CLAMP,REAR SHOCK (Ref # 92037A)	92037-1456	1
PLUG,9.5X8 (Ref # 92066)	92066-1077	1
DAMPER RUBBER (Ref # 92075)	92075-078	1
DAMPER RUBBER (Ref # 92075A)	92075-281	2
BOLT-SOCKET,8X30,BLAC (Ref # 120)	120S0830	4
BOLT-SOCKET,8X40,BLAC (Ref # 120A)	120S0840	6
BOLT-UPSET-WS,6X14 (Ref # 180)	180B0614	2
BOLT 6X16 (Ref # 180A)	180B0616	1
BOLT-UPSET-WS (Ref # 180)	180B0620	4
BOLT 6X12 (Ref # 187)	187B0612	4
TUBE-VINYL 5X720 (Ref # 700)	700Q05720	1