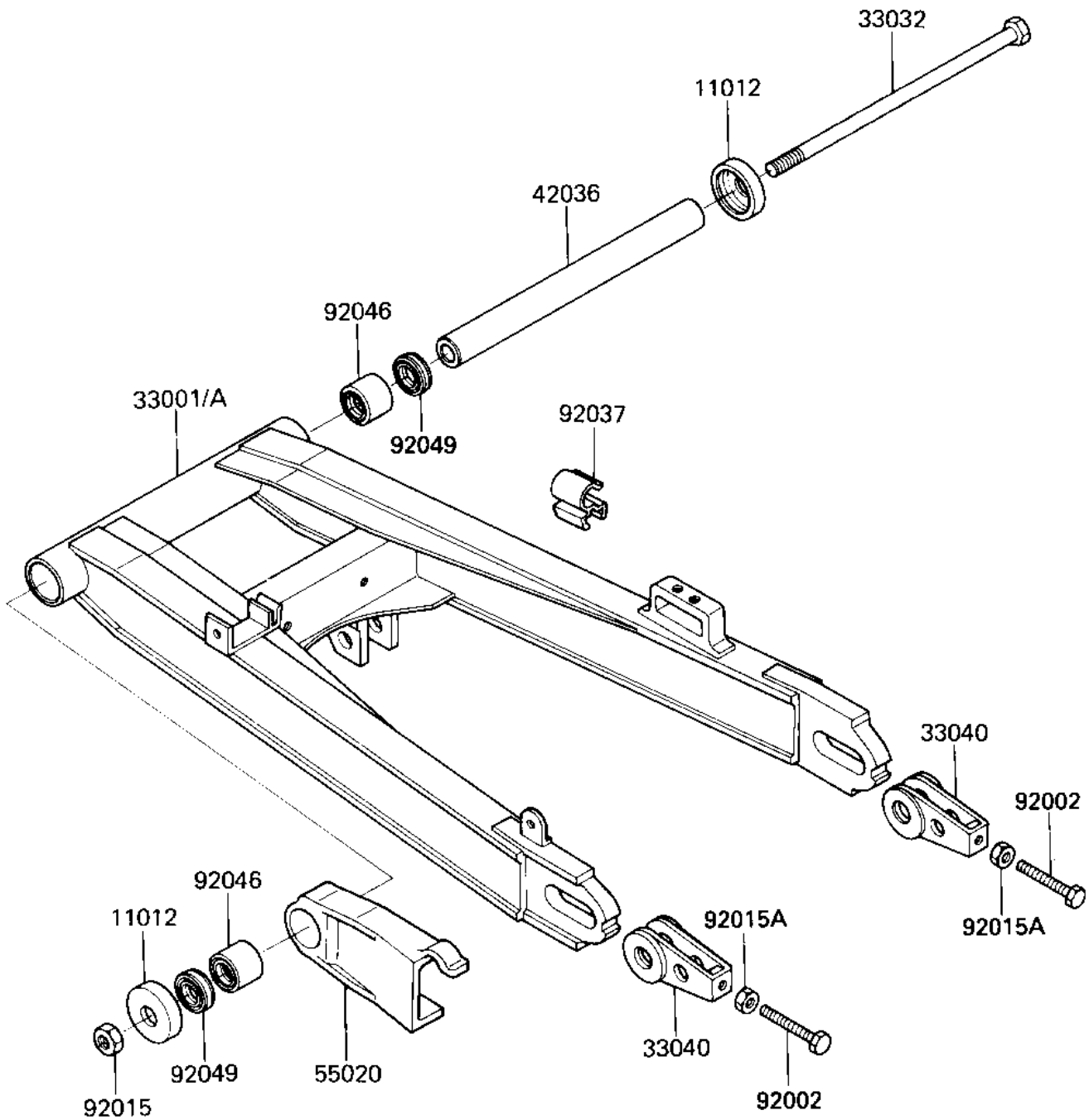


# 1984 GPz PARTS DIAGRAM

SWING ARM

F2141-0005



# 1984 GPz PARTS LIST

## SWING ARM

ITEM NAME	PART NUMBER	QUANTITY
CAP,SWING ARM (Ref # 11012)	11012-1029	2
ARM-COMP-SWING,G.SILV (Ref # 33001)	33001-1210-F2	1
SHAFT-SWING ARM,BLACK (Ref # 33032)	33032-1029	1
ADJUSTER-CHAIN (Ref # 33040)	33040-1051	2
SLEEVE,SWING ARM (Ref # 42036)	42036-1018	1
GUARD,CHAIN (Ref # 55020)	55020-1160	1
BOLT,8X50 (Ref # 92002)	92002-1060	2
NUT,14MM (Ref # 92015)	92015-1327	1
NUT,8MM (Ref # 92015A)	92015-1364	2
CLAMP,BRAKE HOSE (Ref # 92037)	92037-1392	1
BEARING-NEEDLE (Ref # 92046)	92046-1162	2
OIL SEAL,MHA22284 (Ref # 92049)	92049-1059	2