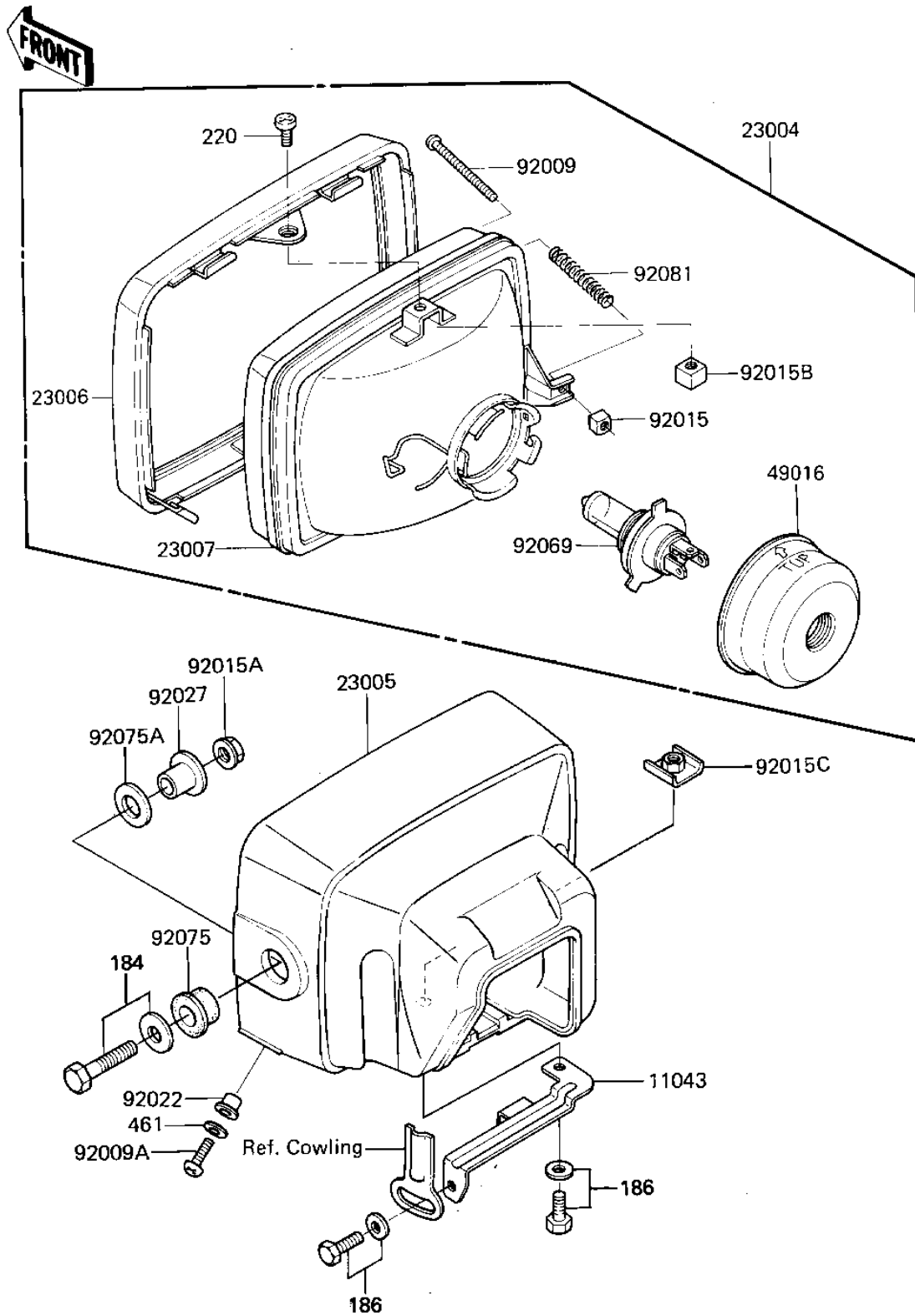


# 1985 GPz PARTS DIAGRAM

## HEADLIGHT

FZ710-0212



# 1985 GPz PARTS LIST

## HEADLIGHT

ITEM NAME	PART NUMBER	QUANTITY
BRACKET,HEAD LAMP (Ref # 11043)	11043-1640	1
LAMP-HEAD (Ref # 23004)	23004-1169	1
BODY-COMP-HEAD LAMP,B (Ref # 23005)	23005-1051-6Z	1
RIM-LAMP,HEAD (Ref # 23006)	23006-1022	1
LENS-COMP (Ref # 23007)	23007-1108	1
COVER-SEAL,HEAD LAMP (Ref # 49016)	49016-1046	1
SCREW,FOCUS ADJU.4X52 (Ref # 92009)	92009-1033	1
SCREW-PAN HEAD,5MM (Ref # 92009A)	92011-024	2
NUT,4MM (Ref # 92015)	23020-018	1
NUT,8M/M (Ref # 92015A)	92015-1014	2
NUT,5MM (Ref # 92015B)	92015-1157	2
NUT-6MM,HEAD LAMP (Ref # 92015C)	92015-1231	1
WASHER (Ref # 92022)	23021-010	2
COLLAR,HEAD LAMP FITT (Ref # 92027)	92027-1131	2
BULB,12V-60/55W (Ref # 92069)	92069-1002	1
DAMPER,HEAD LAMP FITT (Ref # 92075)	92075-1109	2
DAMPER,HEAD LAMP FITT (Ref # 92075A)	92075-1110	2
SPRING,HEAD LAMP LENS (Ref # 92081)	92081-1103	1
BOLT-UPSET-WP-SMALL (Ref # 184)	184C0835	2
BOLT (Ref # 186)	186B0614	2
SCREW PAN HEAD 5X10 (Ref # 220)	220B0510	2
WASHER SPRING 5MM (Ref # 461)	461F0500	2