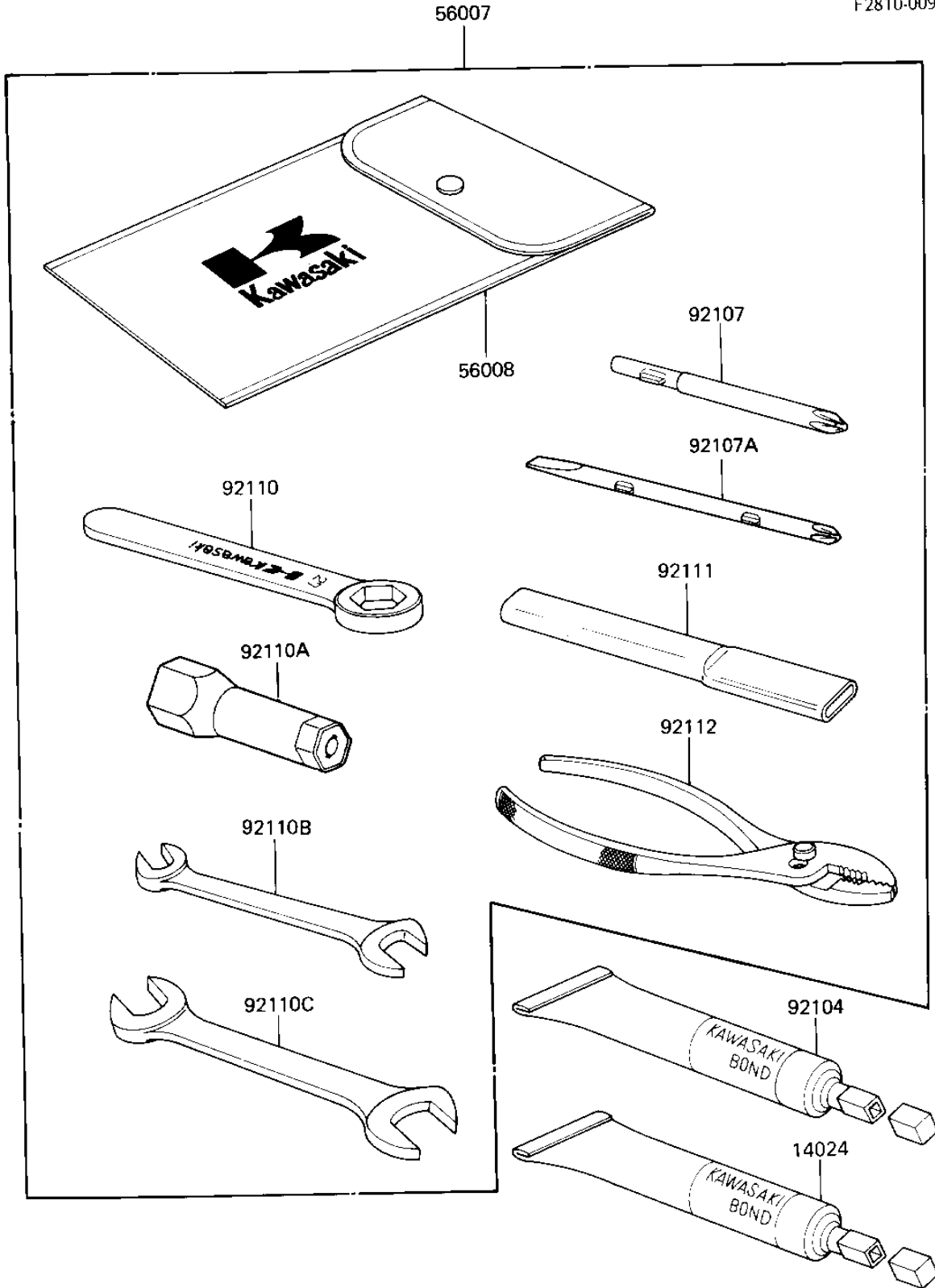


1986 GPz PARTS DIAGRAM

OWNER TOOLS

F2810-0095



1986 GPz PARTS LIST

OWNER TOOLS

ITEM NAME	PART NUMBER	QUANTITY
-----------	-------------	----------