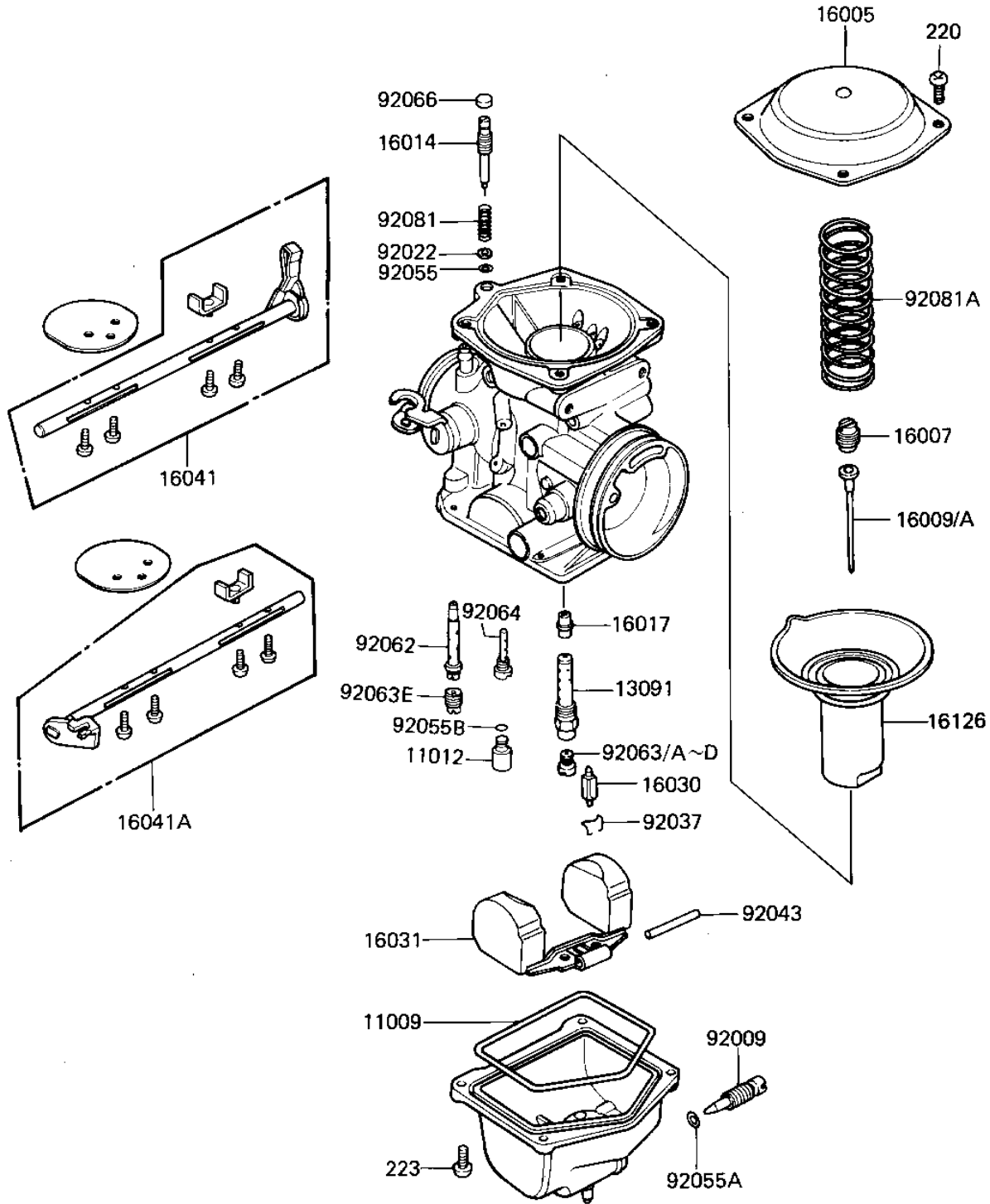


1985 LTD Shaft PARTS DIAGRAM

CARBURETOR PARTS

E1612-0094



1985 LTD Shaft PARTS LIST

CARBURETOR PARTS

ITEM NAME	PART NUMBER	QUANTITY
"O" RING,FLOAT BALL (Ref # 11009)	16019-024	4
CAP,POLYESTER (Ref # 11012)	11012-1128	4
HOLDER,NEEDLE JET (Ref # 13091)	13091-1331	4
TOP,MIXING CHAMBER (Ref # 16005)	16005-1012	4
SCREW,NEEDLE SET (Ref # 16007)	16007-1022	4
NEEDLE-JET,N10D (Ref # 16009)	16009-1240	4
NEEDLE-JET,N10DE (Ref # 16009A)	16009-1249	4
SCREW,PILOT ADJUST (Ref # 16014)	16014-1011	4
NEEDLE JET (Ref # 16017)	16017-1059	4
FLOAT VALVE (Ref # 16030)	16030-1007	4
FLOAT (Ref # 16031)	16031-1023	4
SHAFT,CHOKE,L.H (Ref # 16041)	16041-1022	1
SHAFT,CHOKE (Ref # 16041A)	16041-1023	1
VALVE (Ref # 16126)	16126-1057	4
SCREW,DRAIN (Ref # 92009)	92009-1095	4
WASHER,PLAIN (Ref # 92022)	92022-1003	4
UNAVAILABLE IN PRICE BOOK (Ref # 92037)	92037-007	4
FLOAT PIN (Ref # 92043)	92043-1002	4
O RING,PILOT ADJ (Ref # 92055)	92055-1002	4
"O" RING,DRAIN SCREW (Ref # 92055A)	92055-1053	4
"O" RING (Ref # 92055B)	92055-1088	4
NOZZLE,MAIN (Ref # 92062)	92062-1021	4
MAIN JET,2ND,#95 (Ref # 92063)	92063-1001	4
MAIN JET,2ND,#90 (Ref # 92063A)	92063-1003	4
MAIN JET,#92,2ND (Ref # 92063B)	92063-1004	4
MAIN JET,#2ND,#98 (Ref # 92063C)	92063-1005	4
MAIN JET,2ND #88 (Ref # 92063D)	92063-1024	4
MAIN JET,PRI,#68 (Ref # 92063E)	92063-1050	4
PILOT JET,#35 (Ref # 92064)	92064-1001	4

1985 LTD Shaft PARTS LIST

CARBURETOR PARTS

ITEM NAME	PART NUMBER	QUANTITY
PLUG,PILOT SCREW (Ref # 92066)	92066-1051	4
SPRING,PIROT ADJ SCRW (Ref # 92081)	92081-1002	4
SPRING,VACUUM VALVE (Ref # 92081A)	92081-1479	4
SCREW PAN HEAD 4X8 (Ref # 220)	220B0408	16
SCREW-PAN-WS-CROS (Ref # 223)	223C0412	16