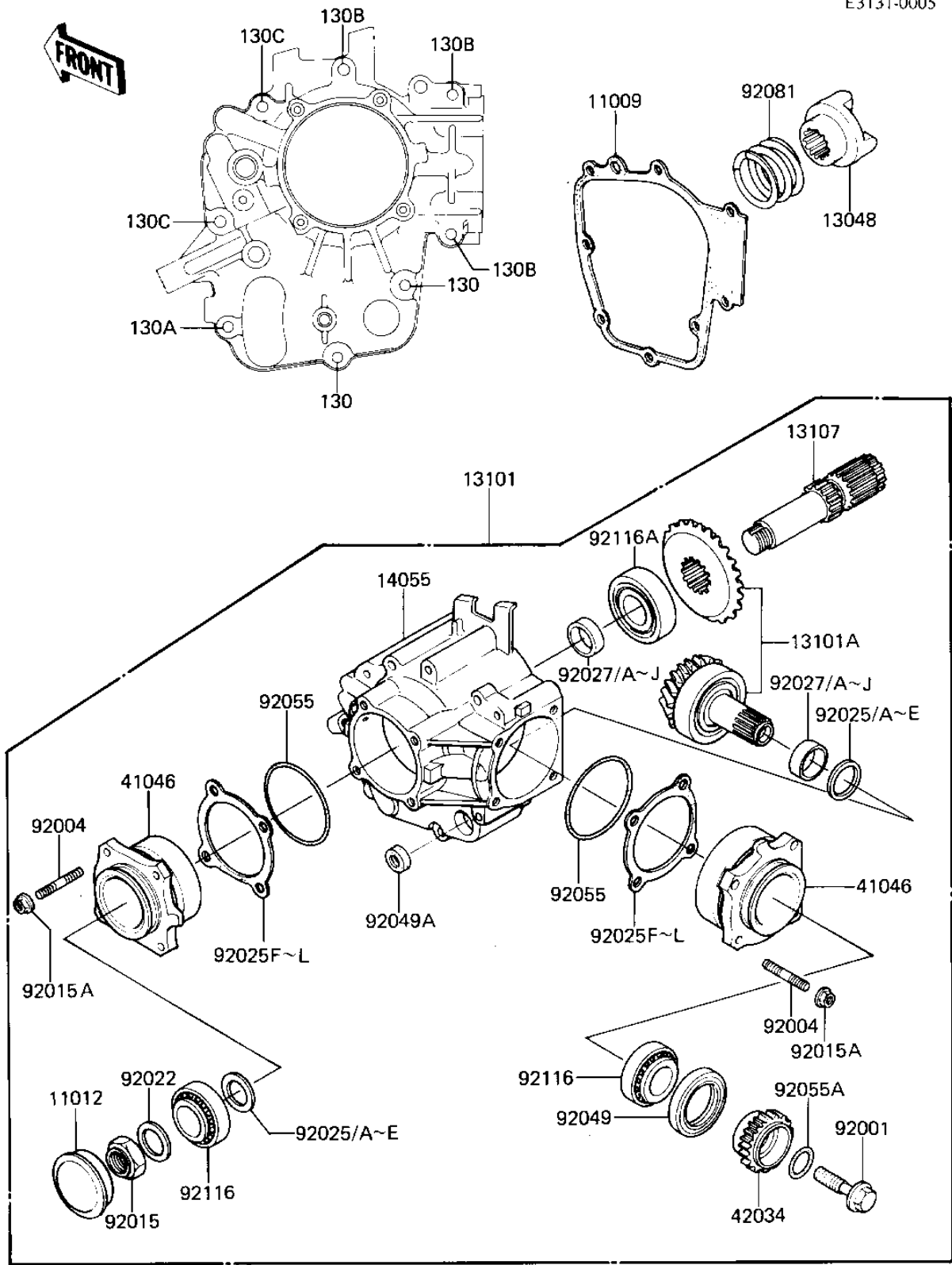


# 1984 LTD Shaft PARTS DIAGRAM

FRONT BEVEL GEARS

E3131-0005



# 1984 LTD Shaft PARTS LIST

## FRONT BEVEL GEARS

| ITEM NAME                            | PART NUMBER | QUANTITY |
|--------------------------------------|-------------|----------|
| GASKET,GEAR CASE (Ref # 11009)       | 11060-1052  | 1        |
| CAP (Ref # 11012)                    | 11012-1071  | 1        |
| CAM-DAMPER,BEVEL GEAR (Ref # 13048)  | 13048-1013  | 1        |
| GEAR-ASSY,BEVEL,FR (Ref # 13101)     | 13101-1019  | 1        |
| GEAR-ASSY,FRONT BEVEL (Ref # 13101A) | 13101-5034  | 1        |
| SHAFT,BEVEL GEAR,FR (Ref # 13107)    | 13107-1032  | 1        |
| CASE-GEAR,BEVEL,FR (Ref # 14055)     | 14055-1006  | 1        |
| HOUSING-BEARING,FR (Ref # 41046)     | 41046-1014  | 2        |
| COUPLING,FR DRIVEN (Ref # 42034)     | 42034-1091  | 1        |
| BOLT,12X42 (Ref # 92001)             | 92001-1169  | 1        |
| STUD (Ref # 92004)                   | 92004-059   | 8        |
| NUT,20M/M (Ref # 92015)              | 92015-1065  | 1        |
| NUT-6MM (Ref # 92015A)               | 92015-1078  | 8        |
| WASHER,PLAIN,2.3X20.3 (Ref # 92022)  | 92022-1116  | 1        |
| SHIM,1.70T (Ref # 92025)             | 92025-1072  | AR       |
| SHIM,1.72T (Ref # 92025A)            | 92025-1073  | AR       |
| SHIM,1.74T (Ref # 92025B)            | 92025-1074  | AR       |
| SHIM,1.76T (Ref # 92025C)            | 92025-1075  | AR       |
| SHIM,1.78T (Ref # 92025D)            | 92025-1076  | AR       |
| SHIM,1.80T (Ref # 92025E)            | 92025-1077  | AR       |
| SHIM,T=0.10 (Ref # 92025F)           | 92025-1258  | AR       |
| SHIM,T=0.15 (Ref # 92025G)           | 92025-1259  | AR       |
| SHIM,T=0.20 (Ref # 92025H)           | 92025-1260  | AR       |
| SHIM,T=0.30 (Ref # 92025I)           | 92025-1261  | AR       |
| SHIM,T=0.60 (Ref # 92025J)           | 92025-1262  | AR       |
| SHIM,T=0,90 (Ref # 92025K)           | 92025-1263  | AR       |
| SHIM,T=1.20 (Ref # 92025L)           | 92025-1264  | AR       |
| COLLAR,25.2X29.8X10.2 (Ref # 92027)  | 92027-1401  | AR       |
| COLLAR,25.2X29.8X10.3 (Ref # 92027A) | 92027-1402  | AR       |

# 1984 LTD Shaft PARTS LIST

## FRONT BEVEL GEARS

| ITEM NAME                            | PART NUMBER | QUANTITY |
|--------------------------------------|-------------|----------|
| COLLAR,25.2X29.8X10.4 (Ref # 92027B) | 92027-1403  | AR       |
| COLLAR,25.2X29.8X10.5 (Ref # 92027C) | 92027-1404  | AR       |
| COLLAR,25.2X29.8X10.6 (Ref # 92027D) | 92027-1405  | AR       |
| COLLAR,25.2X29,8X10.7 (Ref # 92027E) | 92027-1406  | AR       |
| COLLAR,25X2X29,8X10.8 (Ref # 92027F) | 92027-1407  | AR       |
| COLLAR,25.2X29.8X10.9 (Ref # 92027G) | 92027-1408  | AR       |
| COLLAR,25.2X29.8X11.0 (Ref # 92027H) | 92027-1409  | AR       |
| COLLAR,25.2X29.8X11.1 (Ref # 92027I) | 92027-1410  | AR       |
| COLLAR,25.2X29.8X11.2 (Ref # 92027J) | 92027-1411  | AR       |
| OIL SEAL,TC35527 (Ref # 92049)       | 92049-1038  | 1        |
| OIL SEAL,TB13225.5 (Ref # 92049A)    | 92051-005   | 1        |
| "O" RING,65MM (Ref # 92055)          | 671B2565    | 2        |
| "O" RING,I.D=18.64MM (Ref # 92055A)  | 92055-1044  | 1        |
| SPRING,CAM DAMPER (Ref # 92081)      | 92081-1425  | 1        |
| BEARING (Ref # 92116)                | 92116-1003  | 2        |
| BRG,ROLLER,4T-30305 (Ref # 92116A)   | 92116-1006  | 1        |
| BOLT,FLANGED,6X25 (Ref # 130)        | 130G0625    | 2        |
| BOLT,FLANGED,6X40 (Ref # 130A)       | 130G0640    | 1        |
| BOLT-FLANGED,6X75 (Ref # 130B)       | 130G0675    | 3        |
| BOLT-FLANGED,6X90 (Ref # 130C)       | 130G0690    | 2        |