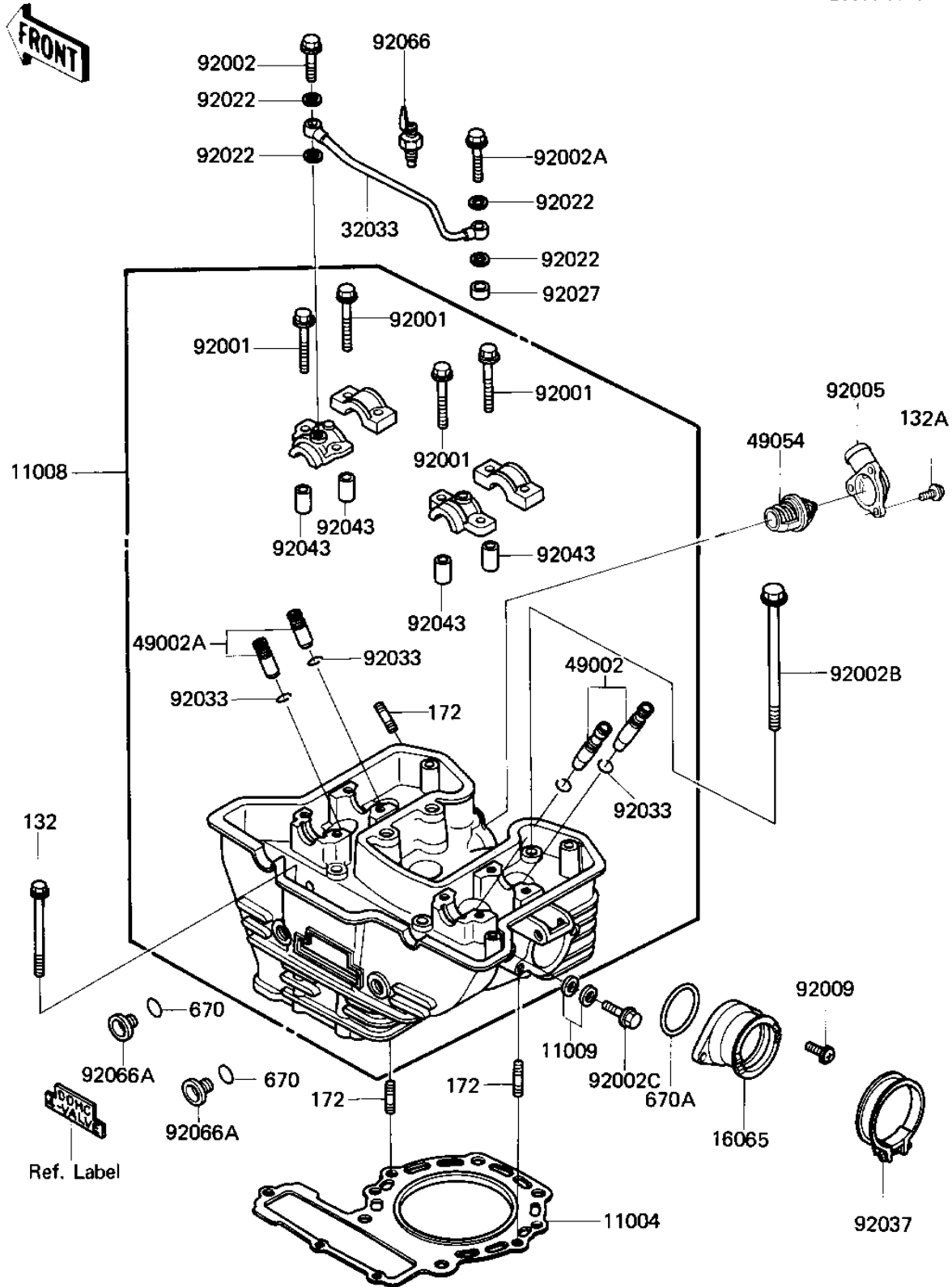


1984 KL600 PARTS DIAGRAM

CYLINDER HEAD

E1111-0148



1984 KL600 PARTS LIST

CYLINDER HEAD

ITEM NAME	PART NUMBER	QUANTITY
GASKET-HEAD (Ref # 11004)	11004-1123	1
HEAD-COMP-CYLINDER (Ref # 11008)	11008-1157	1
GASKET,10X14.5X1.5 (Ref # 11009)	11009-1105	2
HOLDER-CARBURETOR (Ref # 16065)	16065-1104	1
PIPE (Ref # 32033)	32033-1409	1
GUIDE,INLET VALVE (Ref # 49002)	12013-009	2
GUIDE,EXHAUST VALVE (Ref # 49002A)	49002-1002	2
THERMOSTAT (Ref # 49054)	49054-1003	1
BOLT,FLANGED,6X38 (Ref # 92001)	92001-1105	8
BOLT,BANJO,8X20 (Ref # 92002)	92001-1855	1
BOLT,BANJO,8X30 (Ref # 92002A)	92001-1856	1
BOLT,10X185 (Ref # 92002B)	92001-1994	4
BOLT,BANJO,10X25 (Ref # 92002C)	92002-1170	1
FITTING,CYLINDER HEAD (Ref # 92005)	92005-1106	1
SCREW,6X20 (Ref # 92009)	92009-1325	2
WASHER,8.2X14X1 (Ref # 92022)	92022-1488	4
COLLAR,8.5X13X9 (Ref # 92027)	92027-1736	1
CIRCLIP-VALVE (Ref # 92033)	92036-023	4
CLAMP,55MM (Ref # 92037)	92037-1486	1
PIN-DOWEL (Ref # 92043)	92042-007	8
PLUG,SENSOR WATER (Ref # 92066)	92066-1118	1
PLUG,CYLINDER HEAD (Ref # 92066A)	92066-1158	2
BOLT-FLANGED-SMALL (Ref # 132)	132H0685	2
BOLT-FLANGED-SMALL (Ref # 132A)	132J0614	3
STUD 8X22 (Ref # 172)	172G0822	4
"O" RING,15MM (Ref # 670)	670B2015	2
O RING (Ref # 670A)	670D3048	1