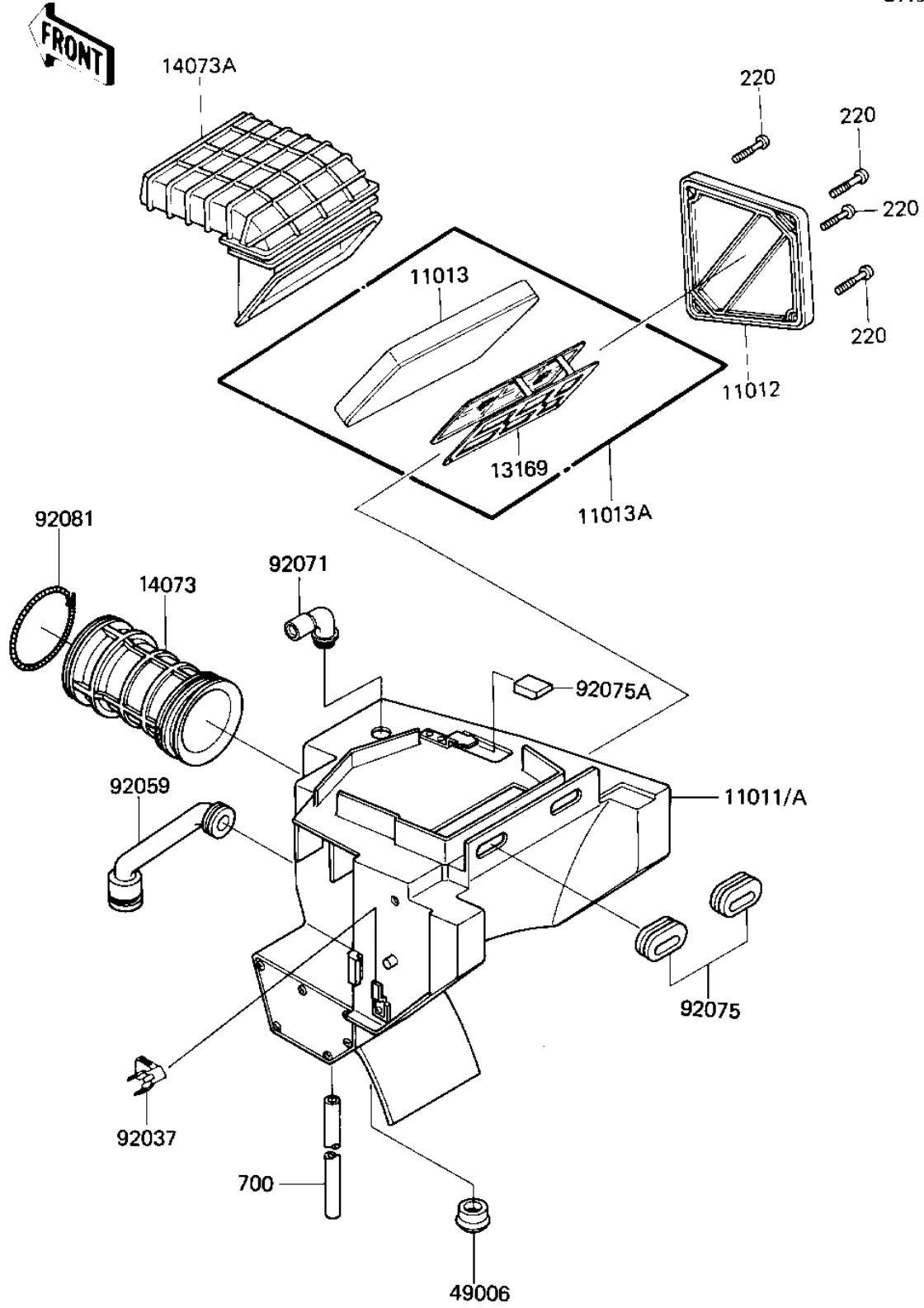


1984 KL600 PARTS DIAGRAM

AIR CLEANER

E1130-0150



1984 KL600 PARTS LIST

AIR CLEANER

ITEM NAME	PART NUMBER	QUANTITY
CASE-AIR FILTER (Ref # 11011)	11011-1160	1
CASE-AIR FILTER (Ref # 11011A)	11011-1174	1
CAP,ELEMENT (Ref # 11012)	11012-1371	1
ELEMENT-AIR FILTER (Ref # 11013)	11013-1080	1
ELEMENT-AIR FILTER (Ref # 11013A)	11013-1108	1
PLATE,ELEMENT (Ref # 13169)	13169-1632	1
DUCT,CARBURETOR (Ref # 14073)	14073-1161	1
DUCT,INTAKE (Ref # 14073A)	14073-1162	1
BOOT,AIR FILTER (Ref # 49006)	49006-1098	1
CLAMP (Ref # 92037)	92037-1574	1
TUBE,BREATHER (Ref # 92059)	92059-1379	1
GROMMET,AIR FILTER (Ref # 92071)	92071-1114	1
DAMPER,AIR FILTER (Ref # 92075)	92075-1513	2
DAMPER,AIR FILTER (Ref # 92075A)	92075-1589	1
SPRING,DUCT (Ref # 92081)	92081-1638	1
SCREW PAN HEAD 6X12 (Ref # 220)	220B0612	4
TUBE-VINYL 6X300 (Ref # 700)	700Q06300	1