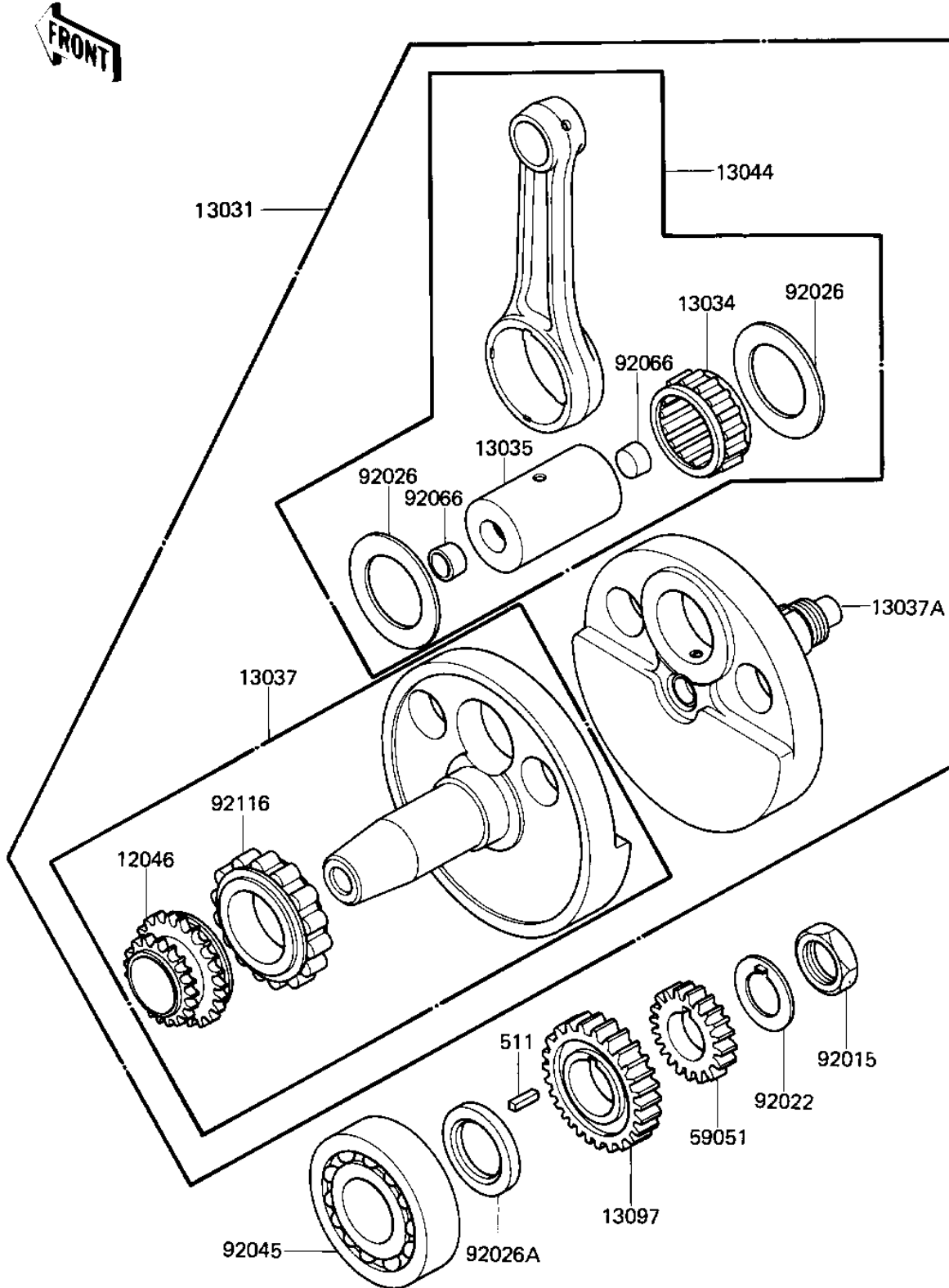


1984 KL600 PARTS DIAGRAM

CRANKSHAFT

E1321-0067



1984 KL600 PARTS LIST

CRANKSHAFT

ITEM NAME	PART NUMBER	QUANTITY
SPROCKET,CAM&BALANCER (Ref # 12046)	12046-1070	1
CRANKSHAFT-COMP (Ref # 13031)	13031-1175	1
BEARING-BIG END,PK30X (Ref # 13034)	13034-1056	1
PIN-CRANK (Ref # 13035)	13035-1052	1
CRANKSHAFT,LH (Ref # 13037)	13037-5036	1
CRANKSHAFT,RH (Ref # 13037A)	13037-5037	1
SET-CONNECTING ROD (Ref # 13044)	13044-5038	1
GEAR-PRIMARY SPUR,28T (Ref # 13097)	13097-1104	1
GEAR-SPUR,OIL PUMP,23 (Ref # 59051)	59051-1103	1
NUT,22MM (Ref # 92015)	92015-1320	1
WASHER,CLAW,22X40X1 (Ref # 92022)	92022-1490	1
SPACER,38X58X1.5 (Ref # 92026)	92026-1204	2
SPACER,30X45X6 (Ref # 92026A)	92026-1210	1
BEARING-BALL (Ref # 92045)	92045-1128	1
PLUG (Ref # 92066)	92066-1154	2
BEARING-ROLLER (Ref # 92116)	92116-1064	1
KEY (Ref # 511)	511A0520	1