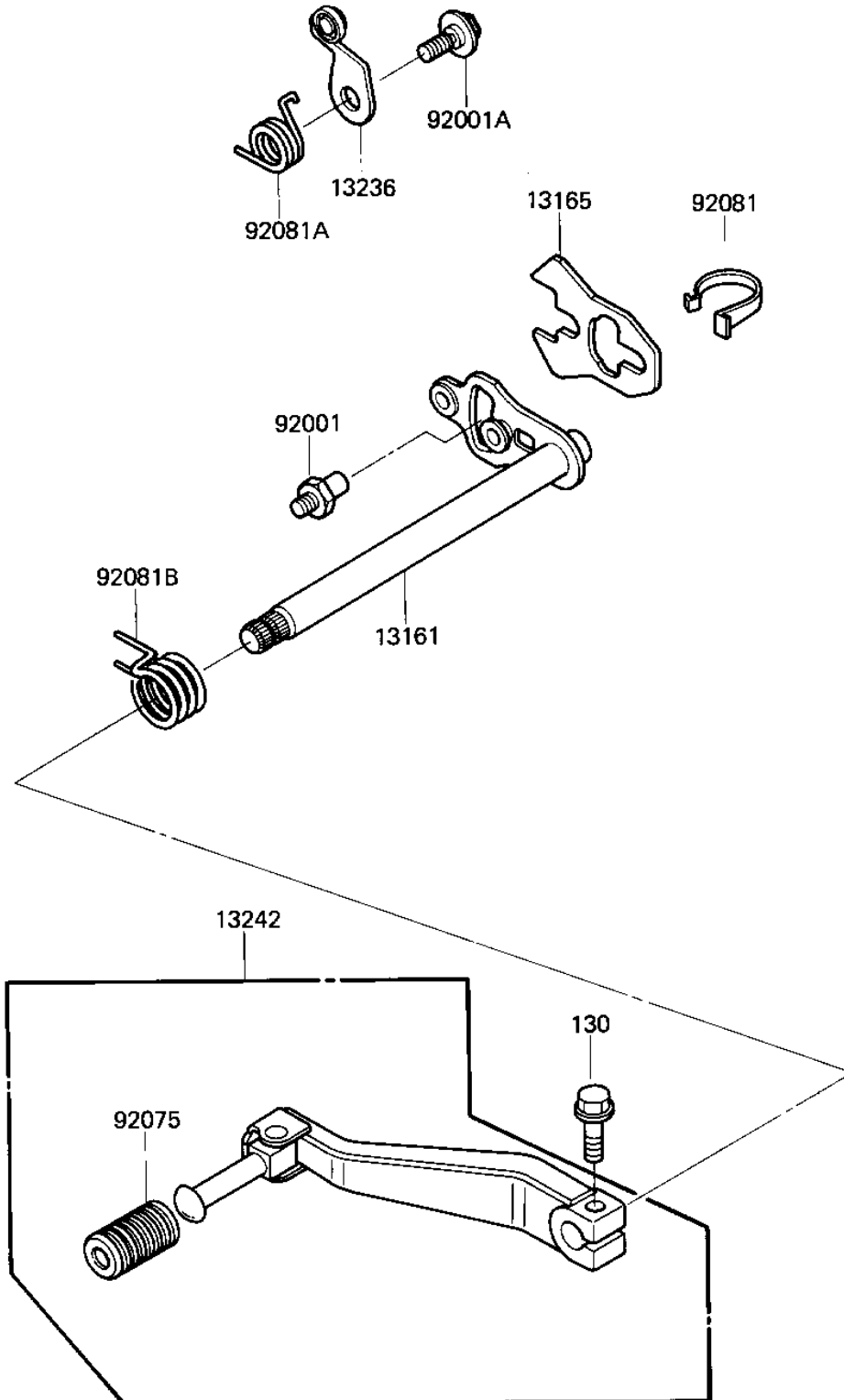


1984 KL600 PARTS DIAGRAM

GEAR CHANGE MECHANISM

E1370-0124



1984 KL600 PARTS LIST

GEAR CHANGE MECHANISM

| ITEM NAME | PART NUMBER | QUANTITY |
|--------------------------------------|-------------|----------|
| LEVER-COMP-CHANGE SHA (Ref # 13161) | 13161-1104 | 1 |
| PAWL (Ref # 13165) | 13165-1120 | 1 |
| LEVER-COMP (Ref # 13236) | 13236-1101 | 1 |
| LEVER-ASSY-CHANGE,PED (Ref # 13242) | 13242-1181 | 1 |
| BOLT,RETURN SPRING (Ref # 92001) | 92001-1401 | 1 |
| BOLT (Ref # 92001A) | 92001-1715 | 1 |
| DAMPER,CHANGE PEDAL (Ref # 92075) | 92160-1108 | 1 |
| SPRING,CHANGE LEVER (Ref # 92081) | 92081-1493 | 1 |
| SPRING (Ref # 92081A) | 92081-1496 | 1 |
| SPRING,CHANGE PEDAL R (Ref # 92081B) | 92081-1750 | 1 |
| BOLT-FLANGED,6X20,BLA (Ref # 130) | 130S0620 | 1 |