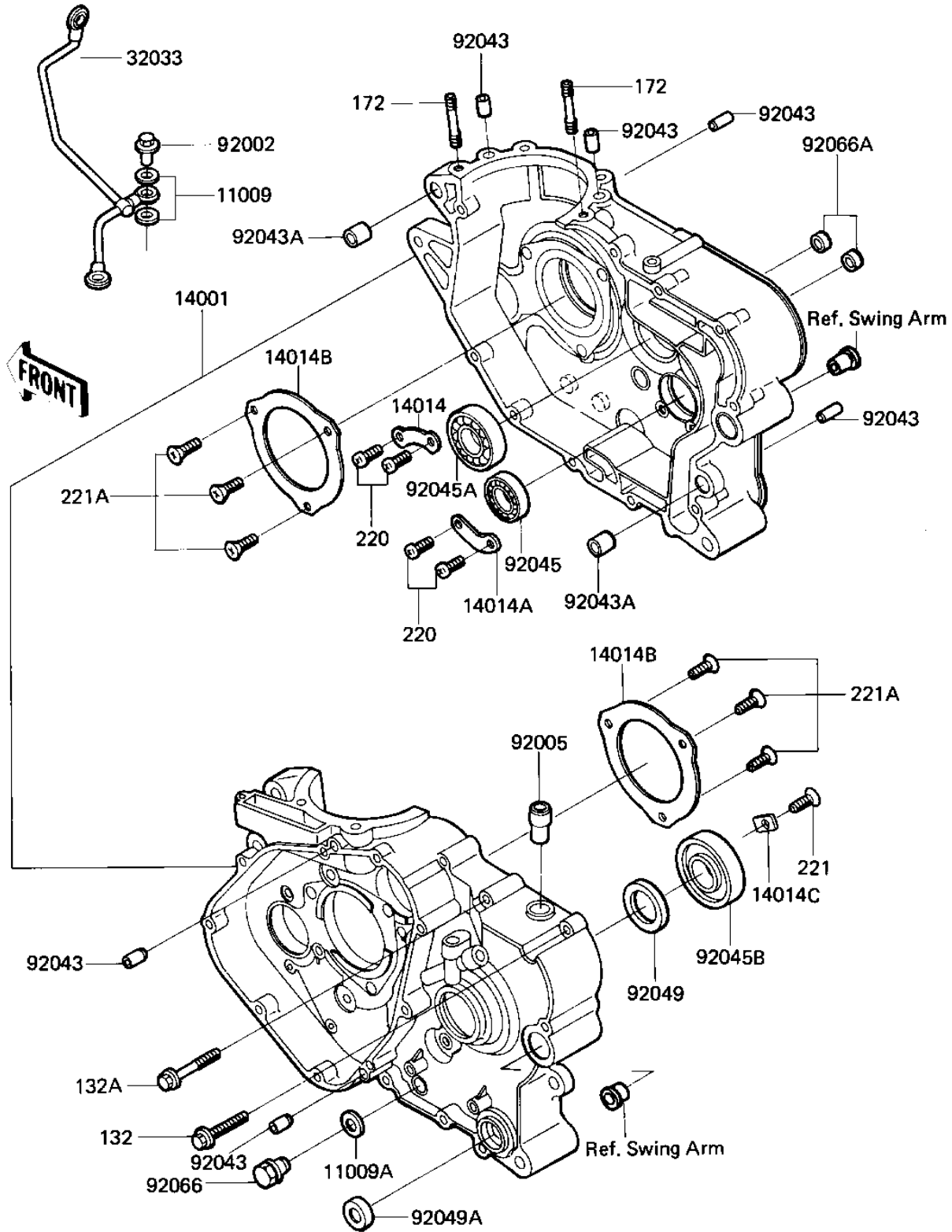


1984 KL600 PARTS DIAGRAM

CRANKCASE

E1411-0109



1984 KL600 PARTS LIST

CRANKCASE

ITEM NAME	PART NUMBER	QUANTITY
GASKET,10X14.5X1.5 (Ref # 11009)	11009-1105	4
GASKET,DRIN PLUG (Ref # 11009A)	92065-097	1
SET-CRANKCASE (Ref # 14001)	14001-5267	1
PLATE,POSITIONING (Ref # 14014)	14014-037	1
PLATE-POSITION (Ref # 14014A)	14014-1015	1
PLATE-POSITION (Ref # 14014B)	14014-1051	2
PLATE-POSITION (Ref # 14014C)	14014-1057	1
PIPE (Ref # 32033)	32033-1160	1
BOLT,BANJO,10X25 (Ref # 92002)	92002-1170	2
BREATHER JOINT (Ref # 92005)	14067-006	1
PIN-DOWEL (Ref # 92043)	92042-007	6
PIN,DOWEL,14MM (Ref # 92043A)	92042-032	2
BEARING,BALL,#6905 (Ref # 92045)	92045-036	1
BEARING-BALL,TMB205 (Ref # 92045A)	92045-1105	1
BEARING-BALL (Ref # 92045B)	92045-1127	1
SEAL-OIL,TC32457 (Ref # 92049)	92049-1159	1
OIL SEAL,CHANGE SHAFT (Ref # 92049A)	92050-082	1
PLUG,OIL DRAIN,12X15 (Ref # 92066)	92066-1174	1
PLUG (Ref # 92066A)	92066-1282	2
BOLT-FLANGED-SMALL (Ref # 132)	132J0630	7
BOLT-FLANGED-SMALL (Ref # 132A)	132J0650	7
STUD 8X22 (Ref # 172)	172G0822	2
SCREW PAN HEAD 6X12 (Ref # 220)	220B0612	4
SCREW CNTSNK HD 6X12 (Ref # 221)	221B0612	1
SCREW CNTSNK HD 6X16 (Ref # 221A)	221B0616	6