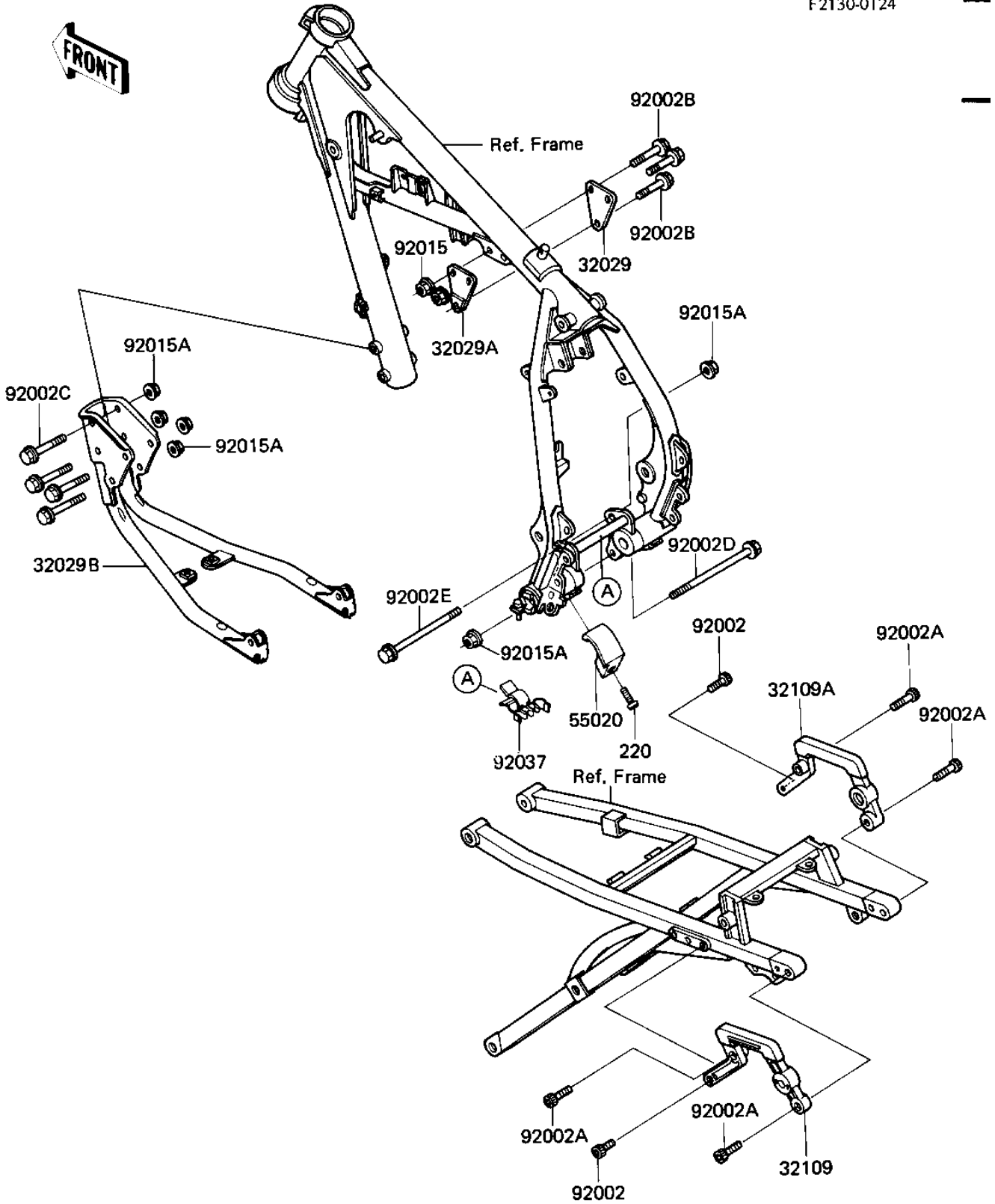


1984 KL600 PARTS DIAGRAM

FRAME FITTINGS

F2130-0124



1984 KL600 PARTS LIST

FRAME FITTINGS

ITEM NAME	PART NUMBER	QUANTITY
BRACKET-ENGINE,RH (Ref # 32029)	32029-1309	1
BRACKET-ENGINE,LH (Ref # 32029A)	32029-1334	1
BRACKET-ENGINE,FR (Ref # 32029B)	32029-1367	1
GRIP-FRAME,LH (Ref # 32109)	32109-1105	1
GRIP-FRAME,RH (Ref # 32109A)	32109-1106	1
GUARD,CHAIN (Ref # 55020)	55020-1157	1
BOLT,SOCKET,6X14 (Ref # 92004)	92002-1175	2
BOLT,SOCKET,6X25 (Ref # 92002A)	92002-1176	4
BOLT,8X50 (Ref # 92002B)	92002-1182	3
BOLT,FLANGED,10X70 (Ref # 92002C)	92001-1618	4
BOLT,10X185 (Ref # 92002D)	92002-1346	1
BOLT,10X185 (Ref # 92002E)	92002-1346	1
NUT,8MM (Ref # 92015)	92015-1406	2
NUT,10MM (Ref # 92015A)	92015-1415	6
CLAMP (Ref # 92037)	92037-1584	1
SCREW PAN CROS (Ref # 220)	220B0510	1