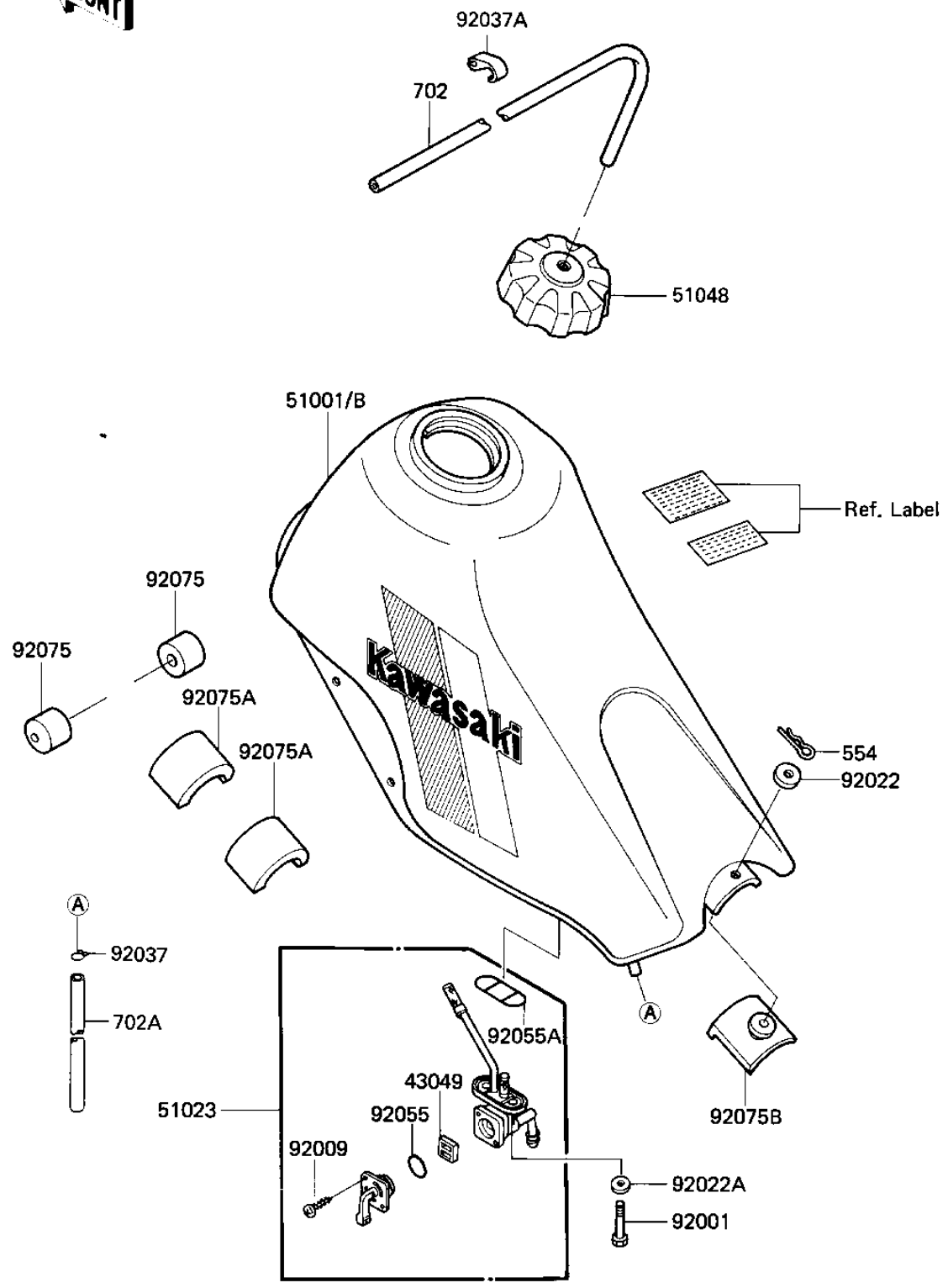


1984 KL600 PARTS DIAGRAM

FUEL TANK

F2410-0244



1984 KL600 PARTS LIST

FUEL TANK

| ITEM NAME | PART NUMBER | QUANTITY |
|--------------------------------------|---------------|----------|
| PACKING,FUEL TAP VALV (Ref # 43049) | 43049-1017 | 1 |
| TANK-COMP-FUEL,P.WHIT (Ref # 51001) | 51002-5069-F1 | 1 |
| TANK-COMP-FUEL,P.WHIT (Ref # 51001B) | 51002-5142-F1 | 1 |
| TAP-ASSY,FUEL (Ref # 51023) | 51023-1106 | 1 |
| CAP-ASSY-TANK,FUEL (Ref # 51048) | 51048-1063 | 1 |
| BOLT,6X20,FUEL TAP (Ref # 92001) | 92001-1091 | 2 |
| SCREW PAN HEAD 3X5 (Ref # 92009) | 220B0305A | 2 |
| WASHER,PLAIN,10.5X24 (Ref # 92022) | 92022-1137 | 1 |
| WASHER-PLAIN (Ref # 92022A) | 92022-183 | 2 |
| CLAMP FUEL PIPE (Ref # 92037) | 92037-010 | 1 |
| CLAMP,TUBE (Ref # 92037A) | 92037-1377 | 1 |
| "O" RING,FUEL TAP LEV (Ref # 92055) | 92055-1111 | 1 |
| "O" RING,FUEL TANK (Ref # 92055A) | 92055-1112 | 1 |
| DAMPER RUBBER,FL TANK (Ref # 92075) | 92075-125 | 2 |
| DAMPER (Ref # 92075A) | 92075-1382 | 2 |
| DAMPER,FUEL TANK (Ref # 92075B) | 92075-1511 | 1 |
| PIN-SNAP,10MM (Ref # 554) | 554A1000 | 1 |
| TUBE,5X1430 (Ref # 702) | 702A051430 | 1 |
| TUBE-RUBBER,5X8X620 (Ref # 702A) | 702A05620 | 1 |