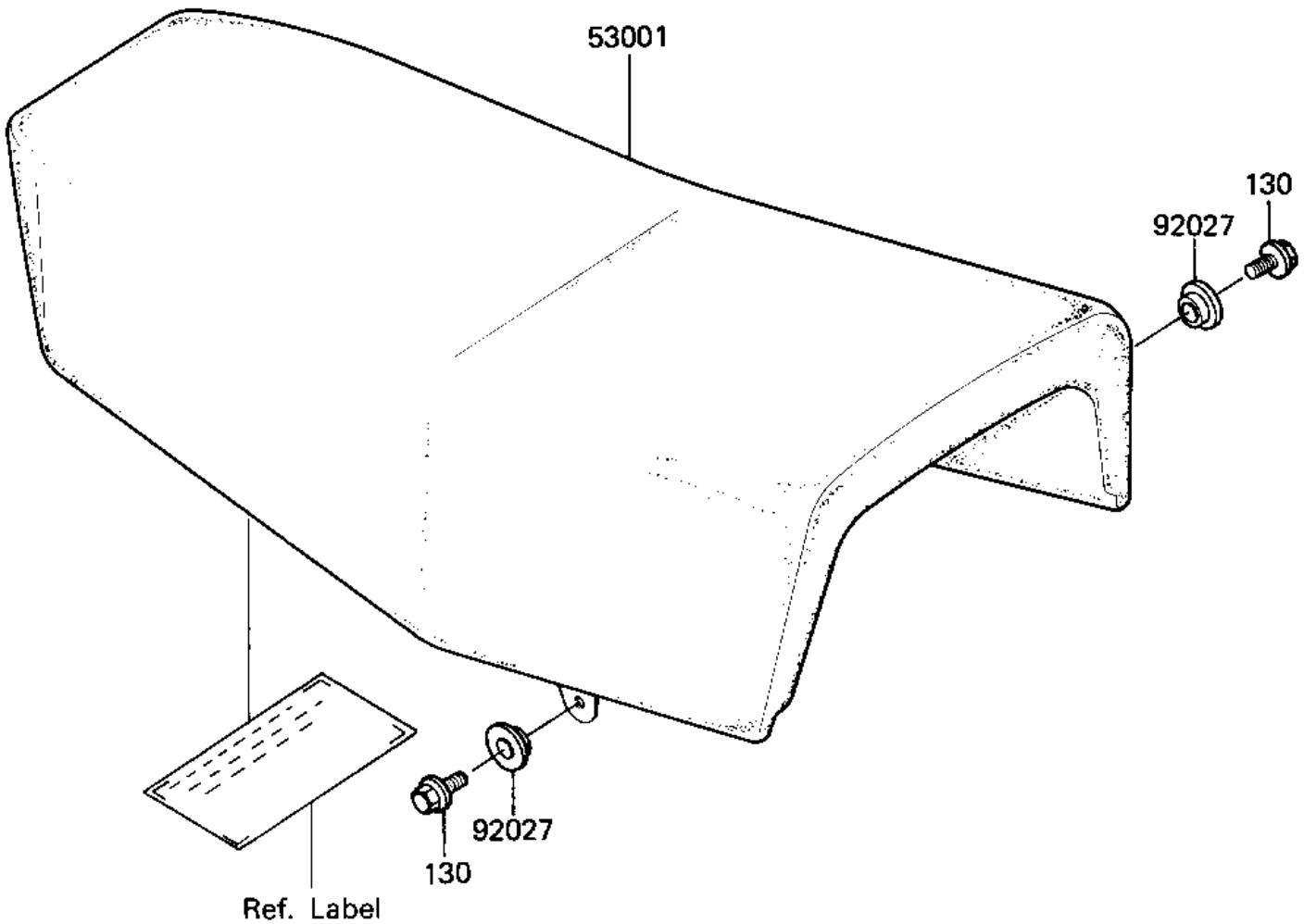


1984 KL600 PARTS DIAGRAM

SEAT

F2510-0255



1984 KL600 PARTS LIST

SEAT

ITEM NAME	PART NUMBER	QUANTITY
SEAT-ASSY (Ref # 53001)	53001-1360	1
COLLAR (Ref # 92027)	92027-1794	2
BOLT,FLANGED,6X10 (Ref # 130)	130B0610	2