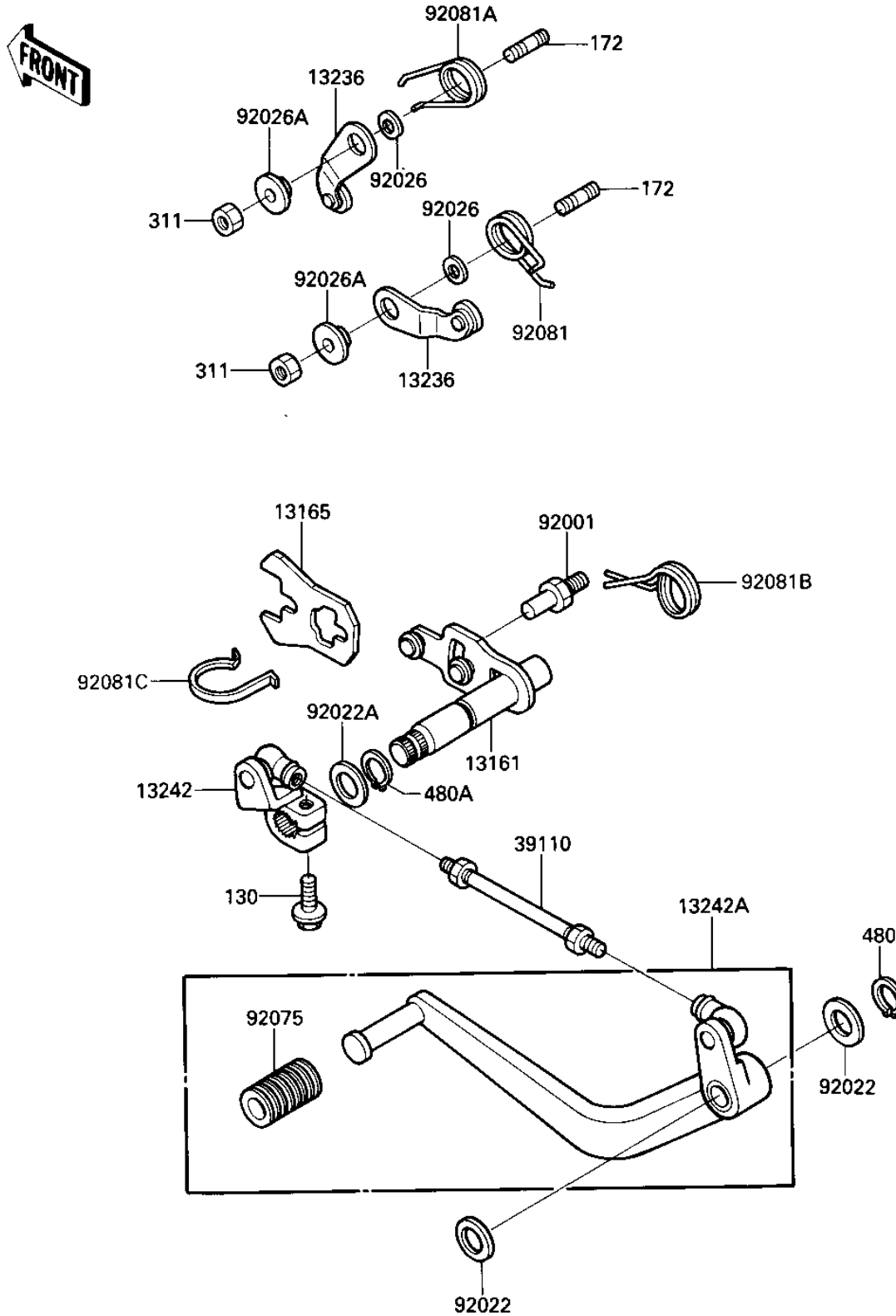


# 1984 Ninja® PARTS DIAGRAM

## GEAR CHANGE MECHANISM

E1370-0131



# 1984 Ninja® PARTS LIST

## GEAR CHANGE MECHANISM

ITEM NAME	PART NUMBER	QUANTITY
LEVER-COMP-CHANGE SHA (Ref # 13161)	13161-1106	1
PAWL (Ref # 13165)	13165-1120	1
LEVER-COMP,GEAR POSIT (Ref # 13236)	13236-1103	2
LEVER-ASSY-CHANGE (Ref # 13242)	13242-1161	1
LEVER-ASSY-CHANGE,PED (Ref # 13242A)	13242-1170	1
ROD-ASSY-TIE,CHANGE L (Ref # 39110)	39110-1010	1
BOLT,RETURN SPRING (Ref # 92001)	92001-1401	1
WASHER PLAIN 12MM (Ref # 92022)	92022-072	2
WASHER (Ref # 92022A)	92022-1772	1
WASHER,THRUST (Ref # 92026)	92026-094	2
SPACER (Ref # 92026A)	92026-1217	2
RUBBER CHANGE PEDAL (Ref # 92075)	13157-004	1
SPRING (Ref # 92081)	92081-1645	1
SPRING (Ref # 92081A)	92081-1742	1
SPRING,CHANGE PEDAL R (Ref # 92081B)	92081-1750	1
SPRING,CHANGE LEVER (Ref # 92081C)	92081-1829	1
BOLT-FLANGED,6X20,BLA (Ref # 130)	130S0620	1
STUD 6X14 (Ref # 172)	172G0614	2
NUT,6M/M (Ref # 311)	311G0600	2
CIRCLIP 12MM (Ref # 480)	480J1200	1
CIRCLIP,13MM (Ref # 480A)	480J1300	1