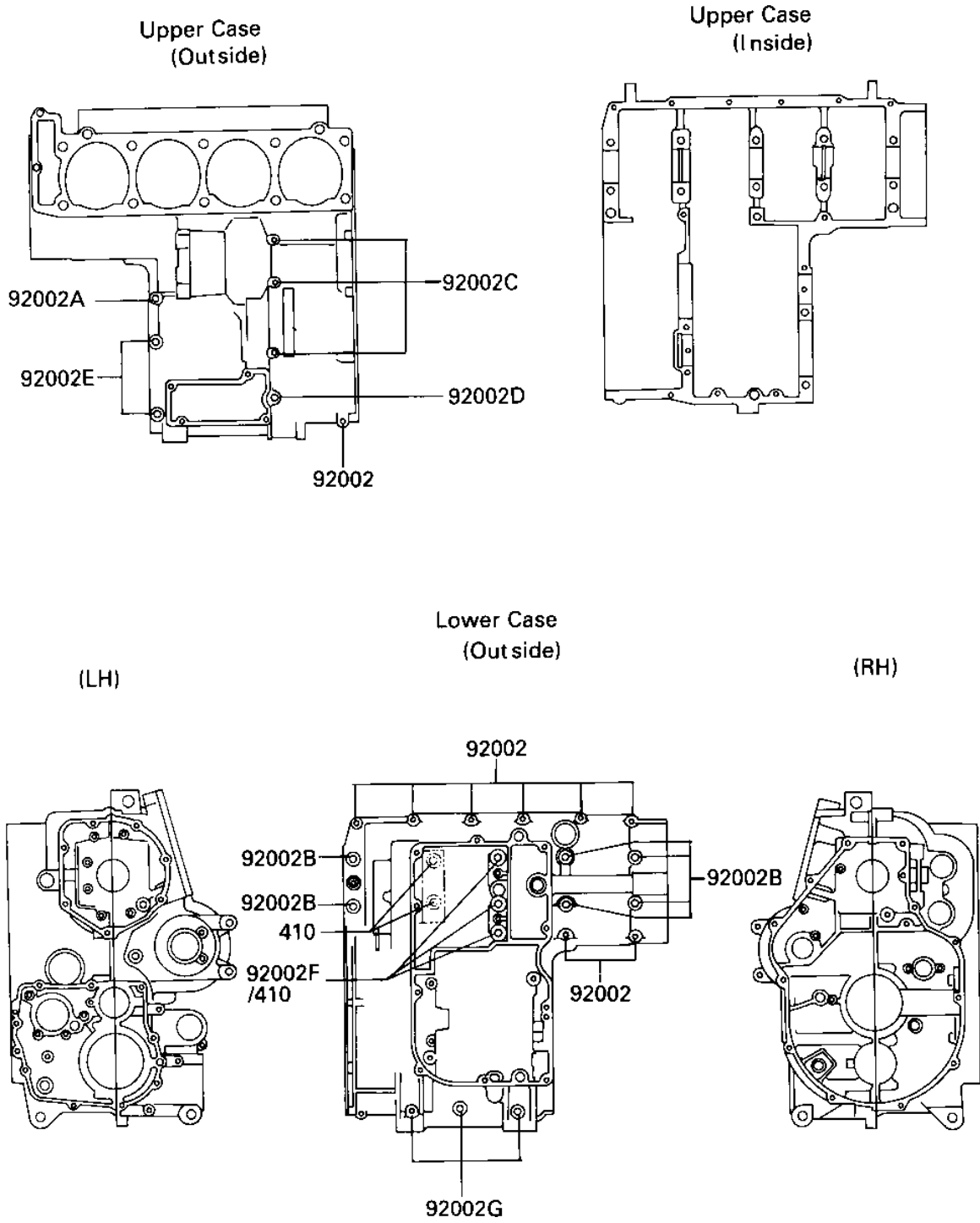


1984 Ninja® PARTS DIAGRAM

CRANKCASE BOLT & STUD PATTERN

E1412-0027



1984 Ninja® PARTS LIST

CRANKCASE BOLT & STUD PATTERN

ITEM NAME	PART NUMBER	QUANTITY
BOLT,6X38 (Ref # 92002)	92001-1899	9
BOLT,6X55 (Ref # 92002A)	92002-1054	1
BOLT,8X90 (Ref # 92002B)	92002-1057	6
BOLT (Ref # 92002C)	92150-1140	3
BOLT (Ref # 92002D)	92002-1306	1
BOLT (Ref # 92002E)	92002-1308	2
BOLT,6X120 (Ref # 92002F)	92150-1164	3
BOLT (Ref # 92002G)	92002-1654	3
WASHER PLAIN 8MM (Ref # 410)	410B0800	5