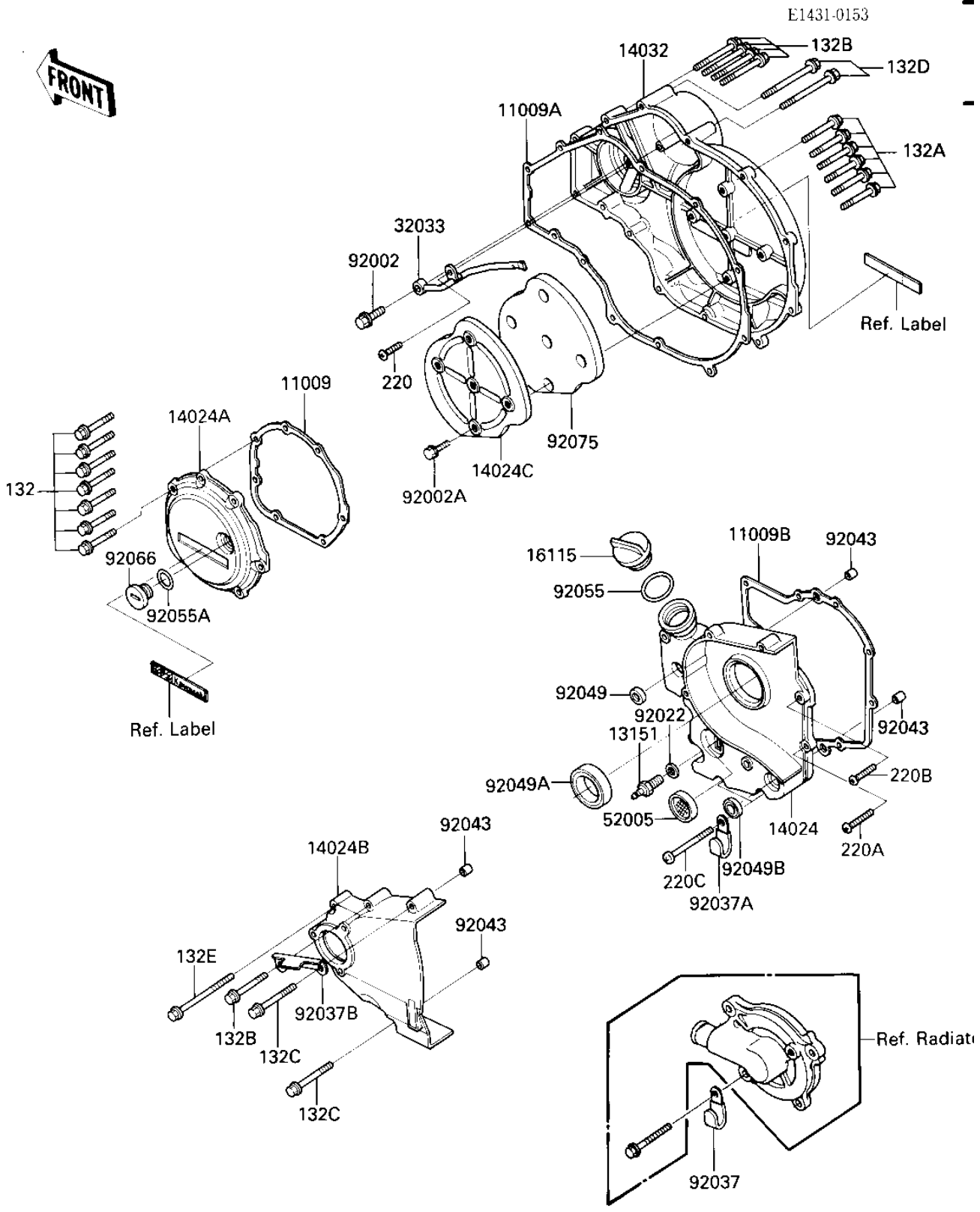


1984 Ninja® PARTS DIAGRAM

ENGINE COVERS



1984 Ninja® PARTS LIST

ENGINE COVERS

ITEM NAME	PART NUMBER	QUANTITY
GASKET,COVER,LH (Ref # 11009)	11009-1863	1
GASKET,CLUTCH COVER (Ref # 11009A)	11009-1860	1
GASKET (Ref # 11009B)	11009-1982	1
SWITCH,NEUTRAL (Ref # 13151)	13151-1007	1
COVER,TRANSMISSION (Ref # 14024)	14024-1716	1
COVER,LH (Ref # 14024A)	14024-1721	1
COVER-CHAIN,CHAIN (Ref # 14024B)	14026-1173	1
COVER,SOUND ARRESTER (Ref # 14024C)	14025-1895	1
COVER-CLUTCH (Ref # 14032)	14032-1179	1
CAP-OIL FILLER (Ref # 16115)	16115-1009	1
PIPE,CLUTCH COVER (Ref # 32033)	32033-1204	1
GAUGE,OIL LEVEL (Ref # 52005)	52005-1057	1
BOLT,BANJO,8X20 (Ref # 92002)	92001-1855	1
BOLT,6X10 (Ref # 92002A)	92002-1449	5
GASKET CHECK VALVE (Ref # 92022)	92065-058	1
CLAMP,WIRING HARNESS (Ref # 92037)	92037-1069	1
CLAMP,WIRING HARNESS (Ref # 92037A)	92037-1539	2
CLAMP,OIL HOSE (Ref # 92037B)	92037-1541	1
PIN-DOWEL (Ref # 92043)	92042-007	4
OIL SEAL,SD-8187 (Ref # 92049)	92049-1017	1
SEAL-OIL (Ref # 92049A)	92049-1070	1
SEAL-OIL,TB13205 (Ref # 92049B)	92049-1186	1
"O" RING,31MM (Ref # 92055)	92055-049	1
RING-O (Ref # 92055A)	92055-1146	1
PLUG,COVER,LH (Ref # 92066)	92066-1163	1
DAMPER,CLUTCH COVER (Ref # 92075)	92075-1633	1
BOLT-FLANGED-SMALL (Ref # 132)	132J0620	7
BOLT-FLANGED-SMALL (Ref # 132A)	132J0625	6
BOLT-FLANGED-SMALL (Ref # 132B)	132J0640	5

1984 Ninja[®] PARTS LIST

ENGINE COVERS

ITEM NAME	PART NUMBER	QUANTITY
BOLT-FLANGED-SMALL (Ref # 132C)	132J0650	2
BOLT-FLANGED-SMALL (Ref # 132D)	132J0655	2
BOLT-FLANGED-SMALL (Ref # 132E)	132J0680	1
SCREW PAN HEAD 5X10 (Ref # 220)	220B0510	1
SCREW PAN HEAD 6X20 (Ref # 220A)	220B0620	3
SCREW PAN HEAD 6X25 (Ref # 220B)	220B0625	3
SCREW PAN HEAD 6X50 (Ref # 220C)	220B0650	2