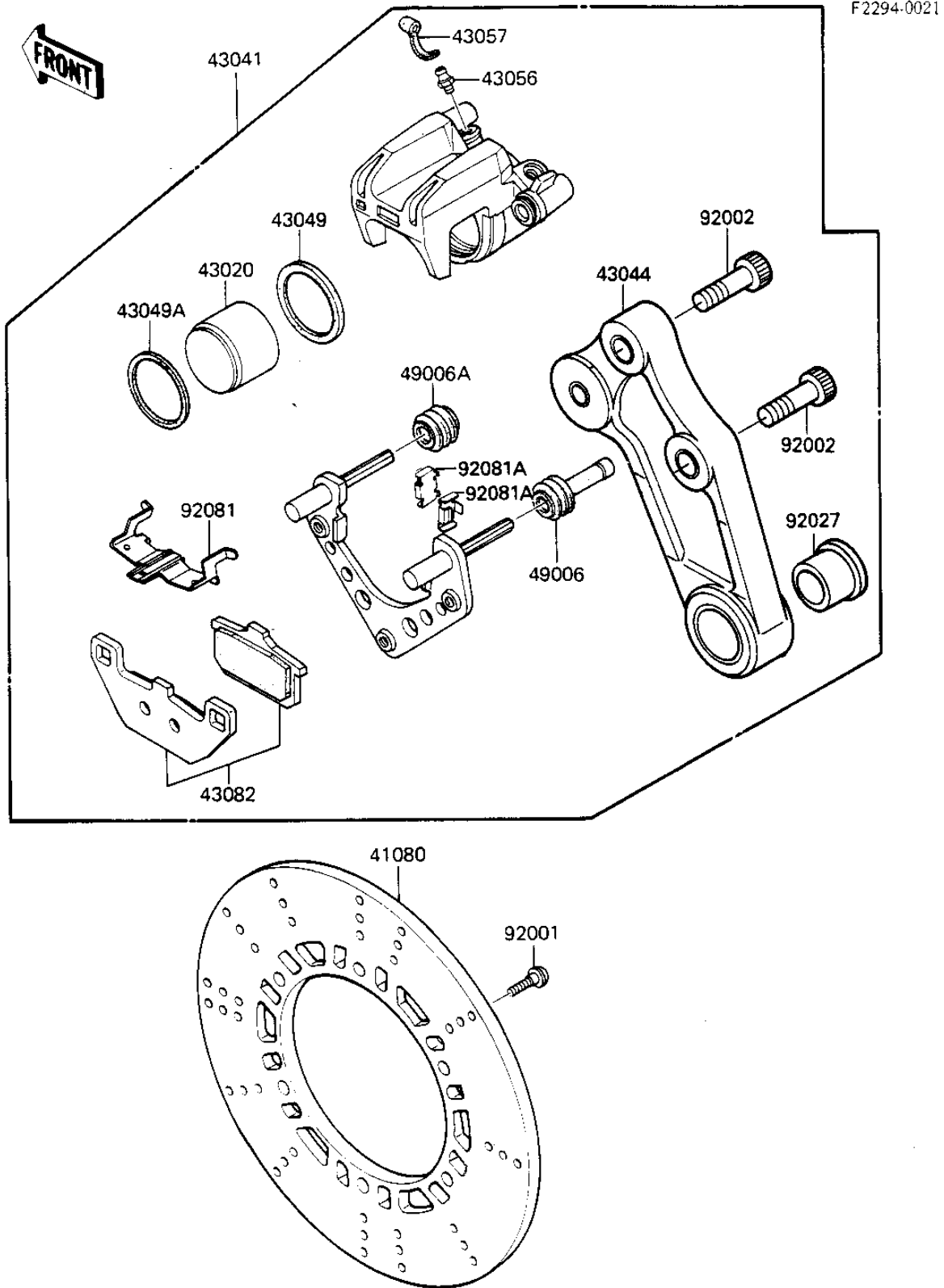


# 1985 Ninja® PARTS DIAGRAM

## REAR BRAKE



# 1985 Ninja® PARTS LIST

## REAR BRAKE

| ITEM NAME                           | PART NUMBER | QUANTITY |
|-------------------------------------|-------------|----------|
| DISC,RR (Ref # 41080)               | 41080-1108  | 1        |
| PISTON-COMP-BRAKE (Ref # 43020)     | 43020-1066  | 1        |
| CALIPER-ASSY,RR (Ref # 43041)       | 43041-1315  | 1        |
| HOLDER-COMP-CALIPER (Ref # 43044)   | 43044-1057  | 1        |
| RING,PISTON SEAL (Ref # 43049)      | 43049-002   | 1        |
| PACKING,PISTON (Ref # 43049A)       | 43049-1028  | 1        |
| BREEDER (Ref # 43056)               | 43056-003   | 1        |
| CAP,BREEDER (Ref # 43057)           | 43057-003   | 1        |
| PAD-ASSY-BRAKE (Ref # 43082)        | 43082-1029  | 1        |
| BOOT,CALIPER (Ref # 49006)          | 49006-1094  | 1        |
| BOOT,CALIPER (Ref # 49006A)         | 49006-1095  | 1        |
| BOLT,SOCKET,8X30 (Ref # 92001)      | 92001-1951  | 6        |
| BOLT,SOCKET,10X16 (Ref # 92002)     | 92002-1353  | 2        |
| COLLAR,RR CALIPER,ID= (Ref # 92027) | 92027-1806  | 1        |
| SPRING,PAD (Ref # 92081)            | 92081-1525  | 1        |
| SPRING,PAD STOPPER (Ref # 92081A)   | 92081-1661  | 2        |