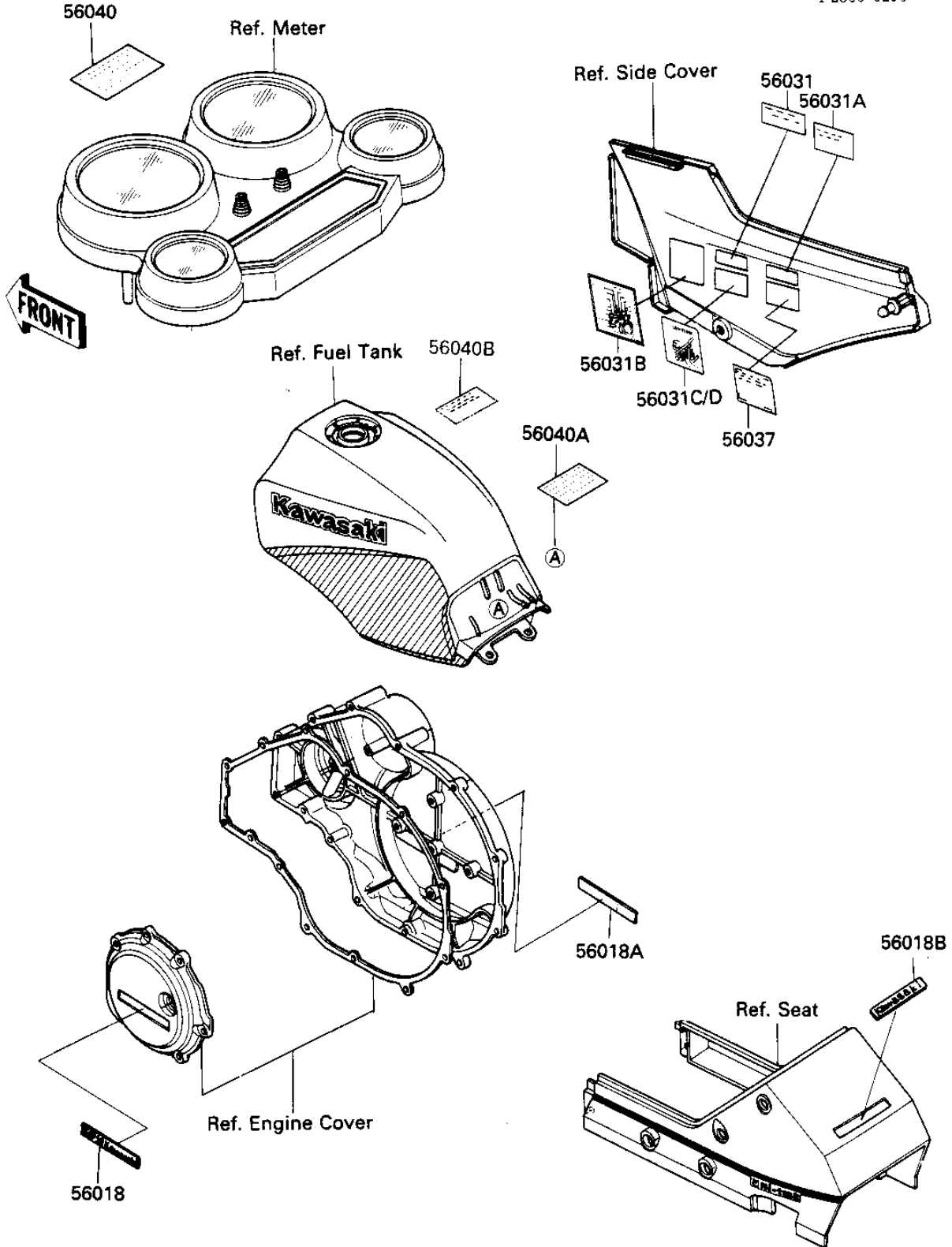


# 1984 Ninja® PARTS DIAGRAM

LABELS

F2860-0290



# 1984 Ninja® PARTS LIST

## LABELS

ITEM NAME	PART NUMBER	QUANTITY
MARK,LEFT COVER (Ref # 56018)	56018-1501	1
MARK,CLUTCH COVER (Ref # 56018A)	56018-1502	1
MARK (Ref # 56018B)	56018-1507	1
LABEL-MANUAL,OIL & OI (Ref # 56031)	56031-1428	1
LABEL-MANUAL,CHAIN (Ref # 56031A)	56031-1352	1
LABEL-MANUAL,DAILY SA (Ref # 56031B)	56031-1353	1
LABEL-MANUAL,BATTERY (Ref # 56031C)	56031-1400	1
LABEL-MANUAL,BATTERY (Ref # 56031D)	56031-1407	1
LABEL,TIRE & LOAD (Ref # 56037)	56037-1285	1
LABEL,BRAKE-IN (Ref # 56040)	56040-1007	1
LABEL,AIR INTAKE (Ref # 56040A)	56040-1014	1
LABEL-WARNING,FUEL TK (Ref # 56040B)	56040-1121	1