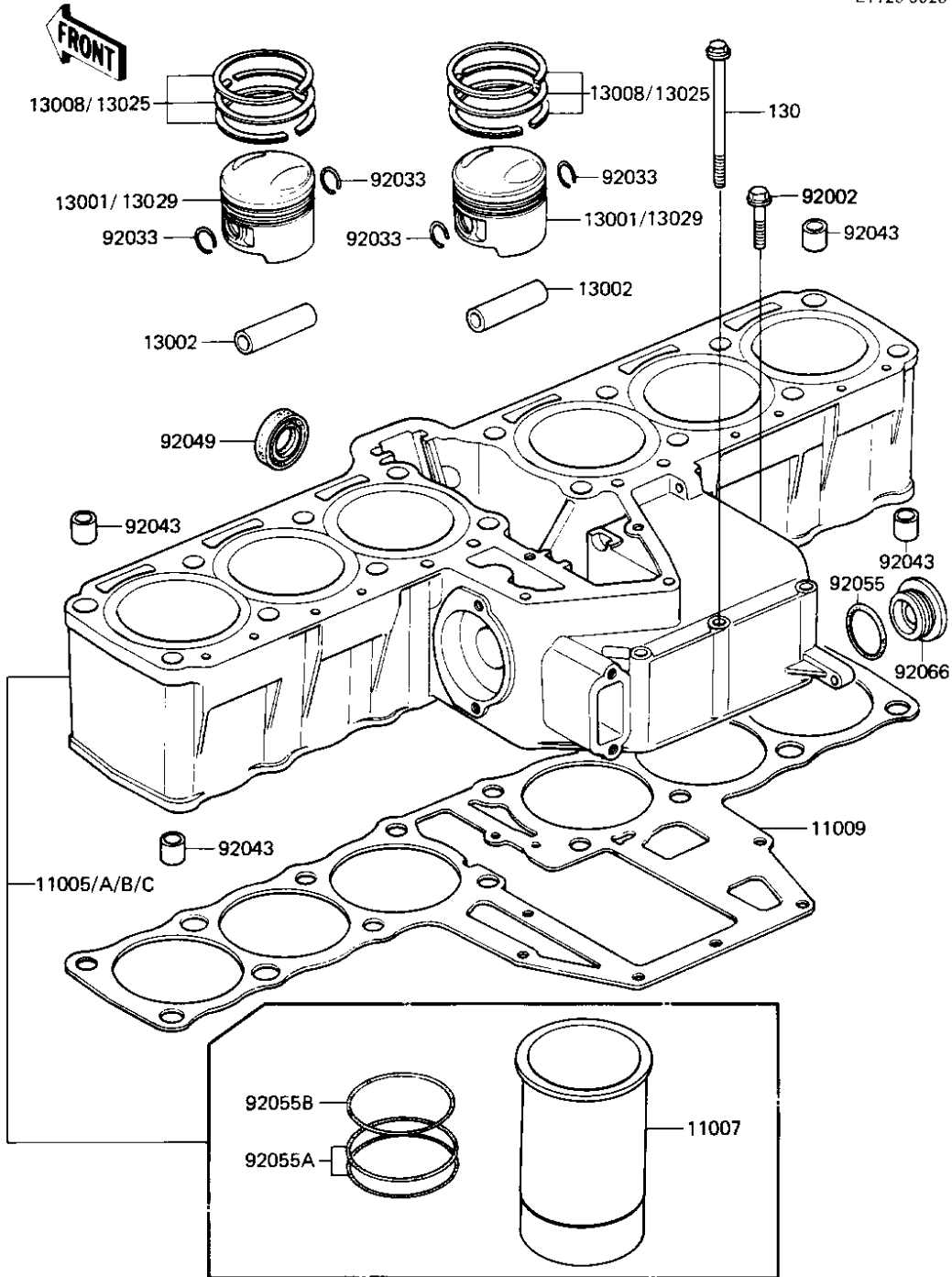


# 1985 Voyager PARTS DIAGRAM

## CYLINDER/PISTONS

E1120-0026



Re  
No

- 11
- 11
- 11
- 11
- 11
- 11
- 13
- 13
- 13
- 13
- 13
- 13
- 92
- 92
- 92
- 92
- 92
- 92
- 92
- 92

# 1985 Voyager PARTS LIST

## CYLINDER/PISTONS

| ITEM NAME                           | PART NUMBER | QUANTITY |
|-------------------------------------|-------------|----------|
| CYLINDER-ENGINE (Ref # 11005B)      | 11005-1403  | 1        |
| CYLINDER-ENGINE (Ref # 11005C)      | 11005-1405  | 1        |
| LINER-CYLINDER (Ref # 11007)        | 11007-1006  | 6        |
| GASKET,CYLINDER BASE (Ref # 11009)  | 11009-1101  | 1        |
| PISTON-ENGINE (Ref # 13001)         | 13001-1120  | 6        |
| PIN-PISTON (Ref # 13002)            | 13002-032   | 6        |
| RING-SET-PISTON,STD (Ref # 13008)   | 13008-5059  | 6        |
| RING-SET-PISTON-L (Ref # 13025)     | 13025-5025  | 6        |
| PISTON-ENGINE L (Ref # 13029)       | 13029-1053  | 6        |
| BOLT,6X28 (Ref # 92002)             | 92002-1105  | 1        |
| CIRCLIP PISTON PIN (Ref # 92033)    | 92036-005   | 12       |
| PIN,11X14X12.3 (Ref # 92043)        | 92043-1266  | 4        |
| OIL SEAL,TC17317 (Ref # 92049)      | 92049-1028  | 1        |
| "O" RING,RELEASE PLUG (Ref # 92055) | 92055-091   | 1        |
| "O" RING,67MM (Ref # 92055A)        | 92055-1032  | 12       |
| "O" RING,67.5MM (Ref # 92055B)      | 92055-1035  | 6        |
| PLUG,RELEASE (Ref # 92066)          | 92067-024   | 1        |
| BOLT-FLANGED (Ref # 130)            | 130Y0685    | 3        |