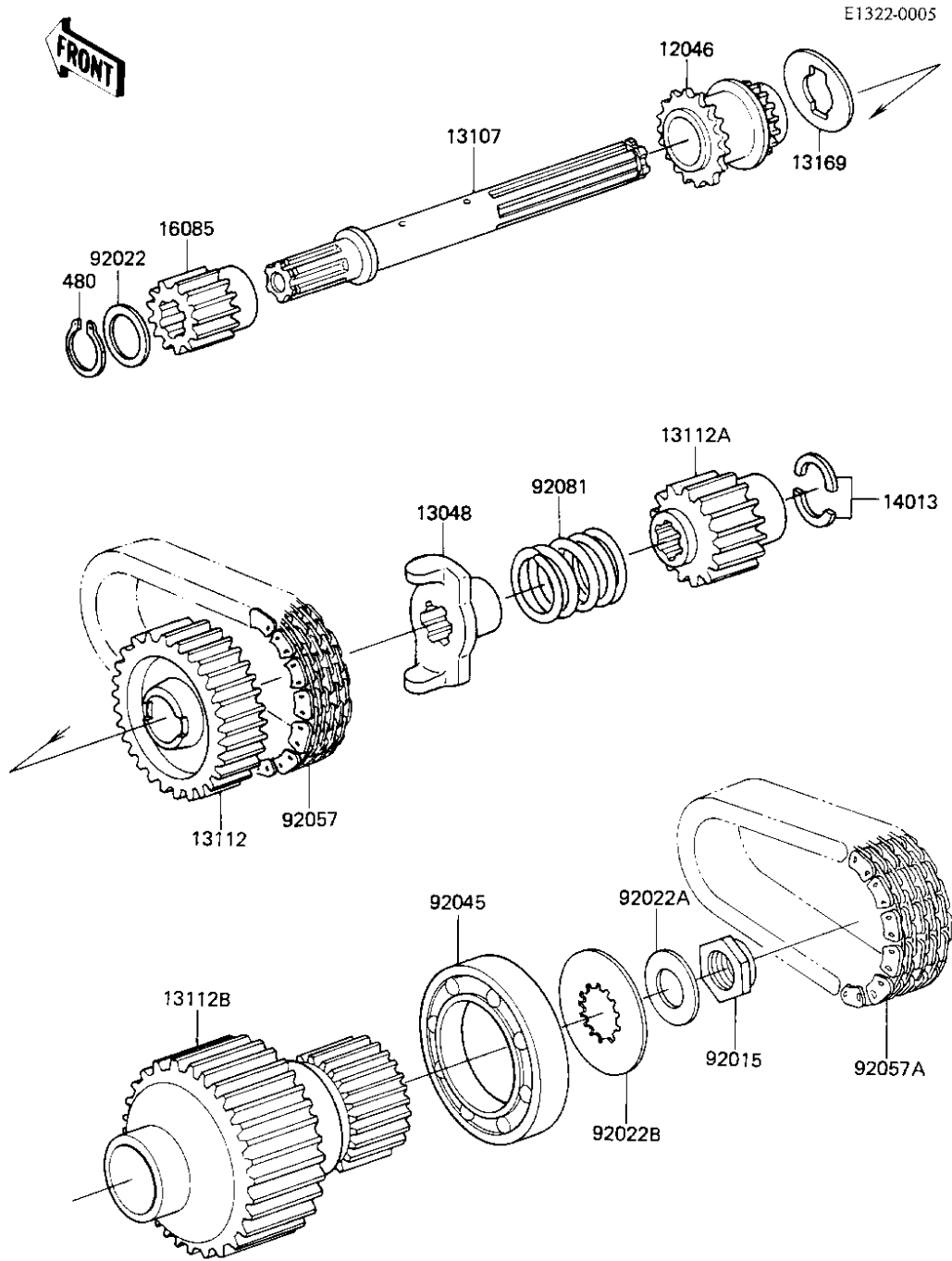


1984 Voyager PARTS DIAGRAM

SECONDARY SHAFT



Ref	Qty
1	1
1	1
1	1
1	1
1	1
1	1
9	1
9	9
9	9
9	9
9	9
9	9

1984 Voyager PARTS LIST

SECONDARY SHAFT

ITEM NAME	PART NUMBER	QUANTITY
SPROCKET,TIMING,28,24 (Ref # 12046)	12046-1011	1
CAM-DAMPER,PRIMARY (Ref # 13048)	13048-1016	1
SHAFT,SECONDARY (Ref # 13107)	13107-1007	1
SPROCKET-PRIMARY,32T (Ref # 13112)	13112-1008	1
SPROCKET-PRIMARY,21T (Ref # 13112A)	13112-1010	1
SPROCKET-PRIMARY,25T (Ref # 13112B)	13112-1051	1
PLATE,25X54X1.2 (Ref # 13169)	13169-1327	1
RING,POSITON (Ref # 14013)	14013-1001	2
GEAR,OIL PUMP DRIVE (Ref # 16085)	16085-1004	1
NUT,20MM (Ref # 92015)	92015-1555	1
WASHER,25.3X33X1.0 (Ref # 92022)	92022-1109	1
WASHER,PLAIN,2.3X20.3 (Ref # 92022A)	92022-1116	1
WASHER,CLUTCH (Ref # 92022B)	92022-1404	1
BEARING,BALL,#6009 (Ref # 92045)	92045-1015	1
CHAIN,PRIMARY,50L (Ref # 92057)	92057-1075	1
CHAIN,SECONDARY (Ref # 92057A)	92057-1127	1
SPRING,CAM FOLLOWER (Ref # 92081)	92081-1085	1
CIRCLIP,25M/M (Ref # 480)	480J2500	1