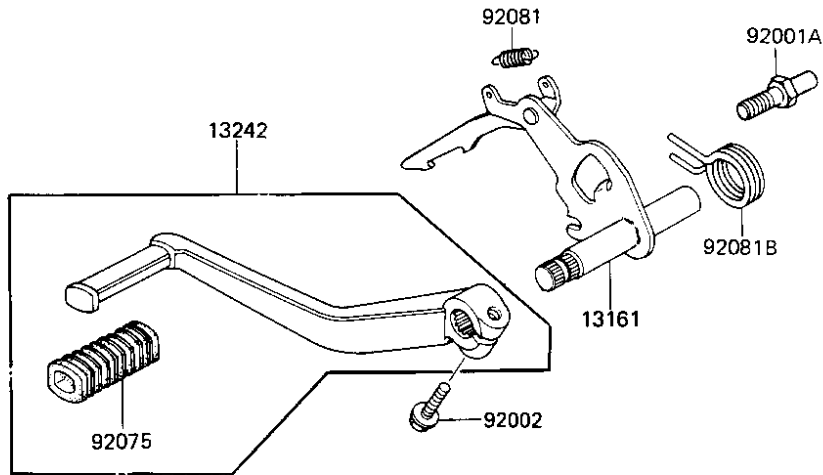
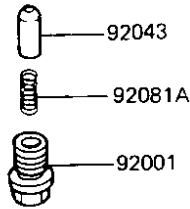
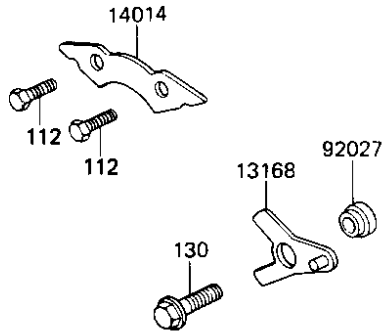


1985 Voyager PARTS DIAGRAM

GEAR CHANGE MECHANISM

E1370-0117

Re
Ni



- 1.
- 1.
- 1.
- 1.
- 9.
- 9.
- 9.
- 9.
- 9.
- 9.
- 9.
- 9.

1985 Voyager PARTS LIST

GEAR CHANGE MECHANISM

ITEM NAME	PART NUMBER	QUANTITY
LEVER-COMP-CHANGE SHA (Ref # 13161)	13161-1114	1
LEVER,CHANGE (Ref # 13168)	13168-1034	1
LEVER-ASSY-CHANGE,PED (Ref # 13242)	13242-1101	1
PLATE,POSITION,DRUM (Ref # 14014)	14014-1008	1
BOLT,10MM (Ref # 92001)	92001-131	1
BOLT,RETURN SPRING (Ref # 92001A)	92001-1401	1
BOLT-FLANGED,6X25 (Ref # 92002)	130P0625	1
COLLAR,CHANGE LEVER (Ref # 92027)	92027-1139	1
PIN-NEUTRAL POSITION (Ref # 92043)	92043-076	1
DAMPER RUBR GEAR CHNG (Ref # 92075)	92075-1175	1
SPRING-CHANGE LEVER (Ref # 92081)	92081-076	1
SPRING (Ref # 92081A)	92081-112	1
SPRING,CHANGE SHAFT R (Ref # 92081B)	92081-1662	1
BOLT-UPSET,6X16 (Ref # 112)	112G0616	2
BOLT-FLANGED,8X25 (Ref # 130)	130G0825	1