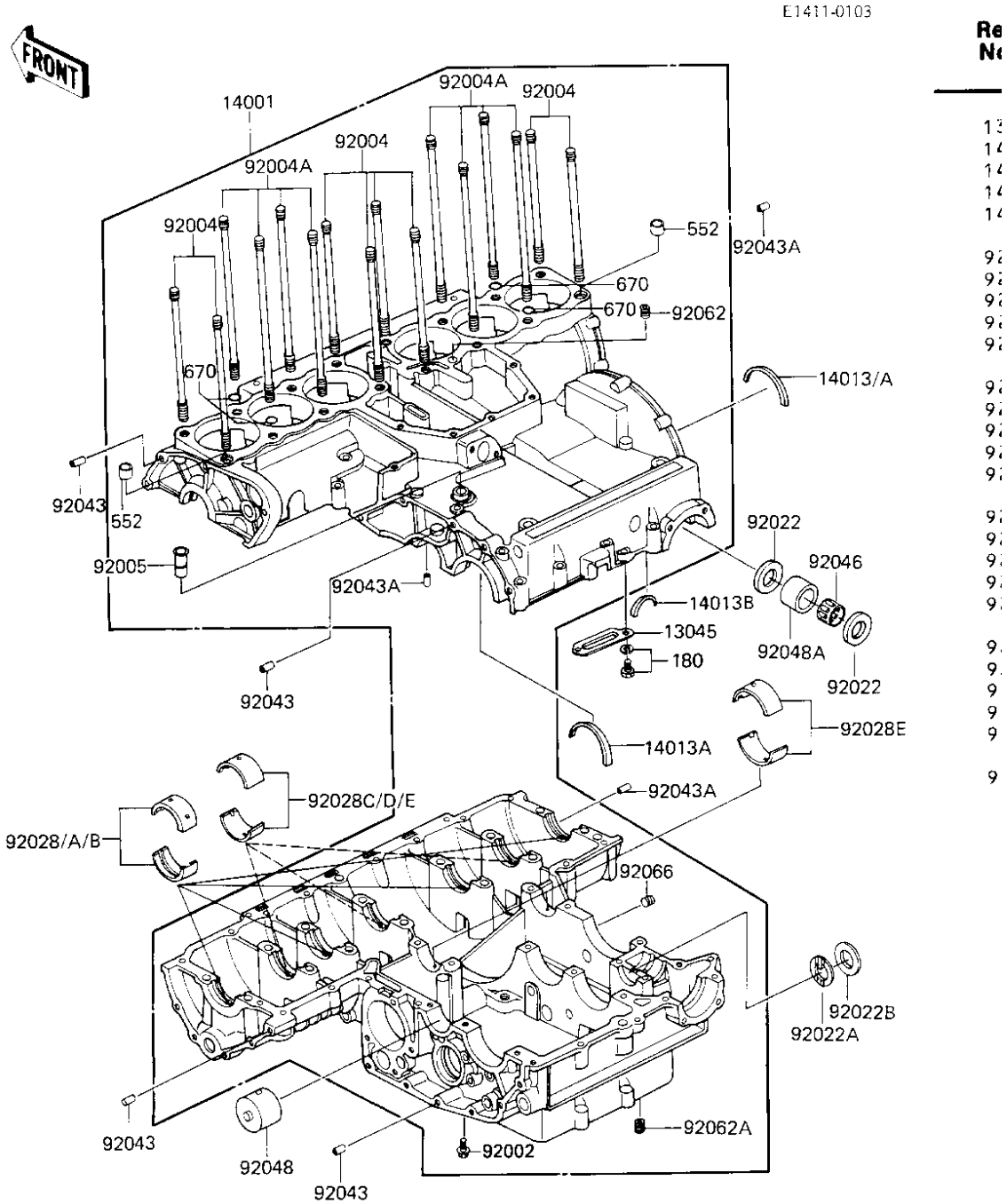


# 1983 Voyager PARTS DIAGRAM

## CRANKCASE



# 1983 Voyager PARTS LIST

## CRANKCASE

ITEM NAME	PART NUMBER	QUANTITY
RECEIVER,OIL (Ref # 13045)	13045-1002	1
SET-CRANKCASE (Ref # 14001)	14001-5153	1
RING-BEARING SET (Ref # 14013)	14013-013	AR
RING,POSITION (Ref # 14013A)	14013-1004	AR
RING-POSITION (Ref # 14013B)	14013-1007	1
BOLT,8X95 (Ref # 92002)	92002-1077	1
STUD,10X153 (Ref # 92004)	92004-062	8
STUD,10X195 (Ref # 92004A)	92004-1019	8
BREATHER JOINT (Ref # 92005)	14067-006	1
WASHER,THRUST,20.5MM (Ref # 92022)	92022-1280	2
WASHER,T=2.2 (Ref # 92022A)	92022-1388	1
WASHER,15X28X2.3 (Ref # 92022B)	92022-1389	1
BUSHING,MAIN JOURNAL (Ref # 92028)	92028-1103	AR
BUSHING,MAIN JOURNAL (Ref # 92028A)	92028-1104	AR
BUSHING,MAIN JOURNAL (Ref # 92028B)	92028-1105	AR
BUSHING,MAIN JOURNAL (Ref # 92028C)	92028-1106	AR
BUSHING,MAIN JOURNAL (Ref # 92028D)	92028-1107	AR
BUSHING,MAIN JOURNAL (Ref # 92028E)	92028-1108	AR
PIN-DOWEL (Ref # 92043)	92042-007	4
PIN DOWEL 6MM (Ref # 92043A)	92042-016	3
BEARING-NEEDLE,TK2028 (Ref # 92046)	92046-1042	1
RACE,DRIVE SHAFT,L.H: (Ref # 92048)	92048-1008	1
RACE (Ref # 92048A)	92048-1018	1
NOZZLE,OIL BIAS (Ref # 92062)	92062-011	1
NOZZLE (Ref # 92062A)	92062-015	1
PLUG,OIL SWITCH (Ref # 92066)	92066-059	1
BOLT 6X16 (Ref # 180)	180B0616	2
PIN,DOWEL,6.5X10X12 (Ref # 552)	552B1012	2
"O" RING,12MM (Ref # 670)	670B2012	4