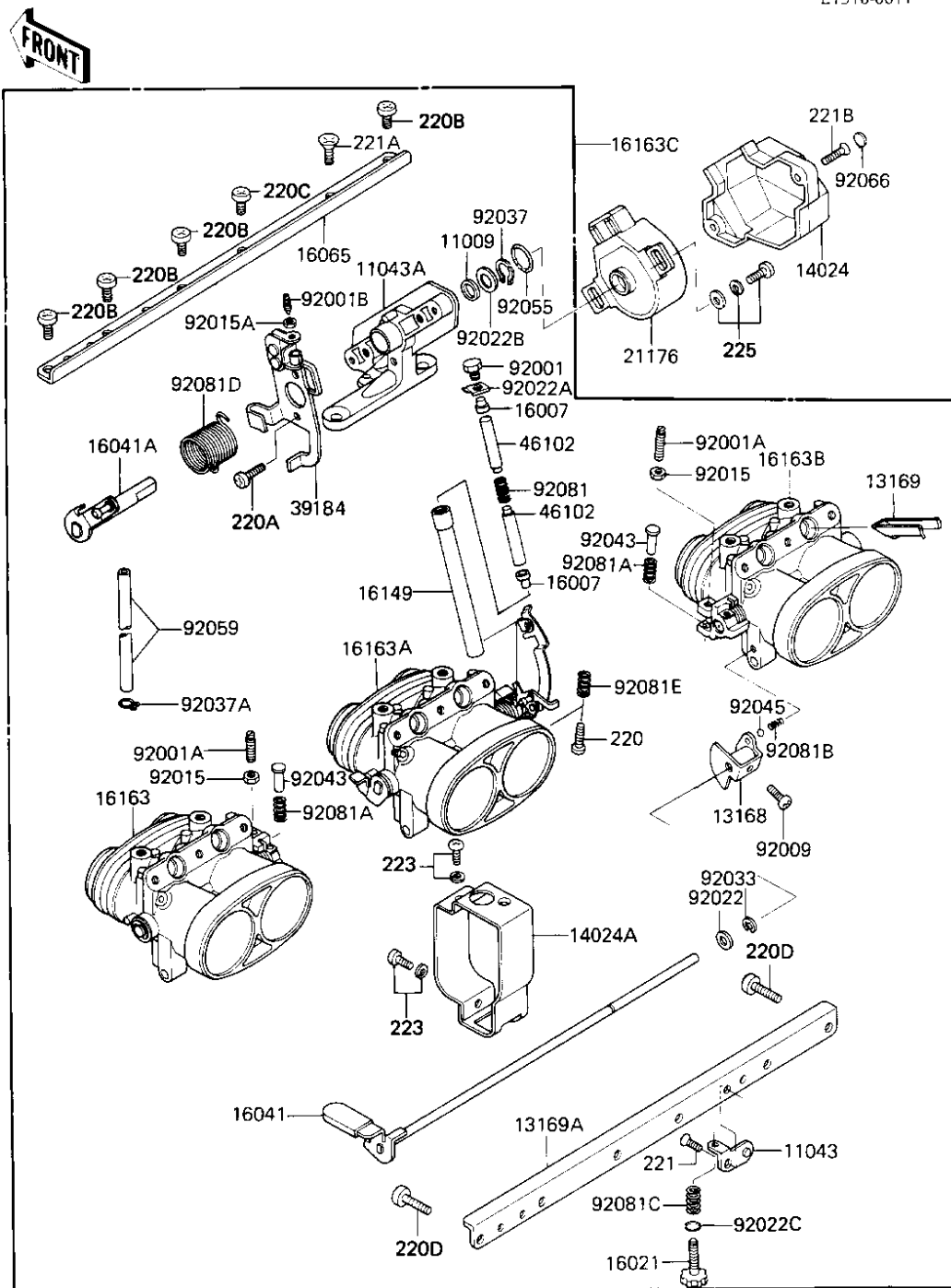


## 1984 Voyager PARTS DIAGRAM

THROTTLE ASSY

E1510-0011



Re  
No

- 1
- 1
- 1
- 1
- 1
- 1
- 1
- 1
- 1
- 1
- 1
- 1
- 1
- 1
- 2
- 3
- 4
- 9
- 9
- 9
- 9
- 9
- 9
- 9
- 9
- 9
- 9
- 9
- 9

# 1984 Voyager PARTS LIST

## THROTTLE ASSY

| ITEM NAME                            | PART NUMBER | QUANTITY |
|--------------------------------------|-------------|----------|
| "O" RING,8MM (Ref # 11009)           | 16038-020   | 1        |
| BRACKET-B,IDLE ADJUST (Ref # 11043)  | 11043-1370  | 1        |
| BRACKET,THROTTLE SENS (Ref # 11043A) | 11043-1494  | 1        |
| LEVER,FAST IDLE (Ref # 13168)        | 13168-1210  | 1        |
| PLATE (Ref # 13169)                  | 13169-1744  | 6        |
| PLATE,THROTTLE STAY,L (Ref # 13169A) | 13169-1745  | 1        |
| COVER,THROTTLE (Ref # 14024)         | 14025-1657  | 1        |
| COVER,TUBE (Ref # 14024A)            | 14025-1798  | 1        |
| SEAT,SPRING (Ref # 16007)            | 16057-002   | 2        |
| SCREW-THROTTLE STOP (Ref # 16021)    | 16021-1066  | 1        |
| SHAFT-CARBURETOR,FAST (Ref # 16041)  | 16041-1052  | 1        |
| SHAFT-CARBURETOR,SENS (Ref # 16041A) | 16041-1053  | 1        |
| HOLDER-CARBURETOR,STA (Ref # 16065)  | 16065-1107  | 1        |
| BAR,JOINT (Ref # 16149)              | 16149-1052  | 1        |
| THROTTLE-ASSY,#1 (Ref # 16163)       | 16163-1032  | 1        |
| THROTTLE-ASSY,#2 (Ref # 16163A)      | 16163-1033  | 1        |
| THROTTLE-ASSY,#3 (Ref # 16163B)      | 16163-1034  | 1        |
| THROTTLE-ASSY (Ref # 16163C)         | 16163-1068  | 1        |
| SENSOR,THROTTLE (Ref # 21176)        | 21176-1004  | 1        |
| BRACKET-ASSY,THROTTLE (Ref # 39184)  | 39184-1053  | 1        |
| ROD,JOINT (Ref # 46102)              | 46102-1106  | 2        |
| BOLT,A (Ref # 92001)                 | 16067-003   | 1        |
| BOLT,ADJUSTING (Ref # 92001A)        | 92001-1447  | 2        |
| BOLT,THROTTLE BRACKET (Ref # 92001B) | 92001-1909  | 1        |
| SCREW,PAN HEAD,5X7 (Ref # 92009)     | 16046-007   | 1        |
| NUT,THROTTLE VLV ADST (Ref # 92015)  | 92015-1119  | 2        |
| NUT,THROTTLE BRACKET (Ref # 92015A)  | 92015-1348  | 1        |
| WASHER,PLAIN (Ref # 92022)           | 16039-019   | 1        |
| WASHER,LOCK,A (Ref # 92022A)         | 16054-003   | 1        |

# 1984 Voyager PARTS LIST

## THROTTLE ASSY

| ITEM NAME                            | PART NUMBER | QUANTITY |
|--------------------------------------|-------------|----------|
| WASHER,THROTTLE SENSO (Ref # 92022B) | 92022-1492  | 1        |
| WASHER,THROTTLE (Ref # 92022C)       | 92022-1608  | 1        |
| RING-SNAP,E (Ref # 92033)            | 92033-1066  | 1        |
| CLAMP (Ref # 92037)                  | 92037-1196  | 1        |
| CLAMP,TUBE (Ref # 92037A)            | 92037-1482  | 1        |
| PIN,THROTTLE VALVE (Ref # 92043)     | 92043-1079  | 2        |
| BALL,STEEL,1/8" (Ref # 92045)        | 600A0400    | 1        |
| RING-O,THROTTLE SENSO (Ref # 92055)  | 92055-1226  | 1        |
| TUBE,3X7X125 (Ref # 92059)           | 92059-1382  | 1        |
| PLUG (Ref # 92066)                   | 92066-1122  | 1        |
| SPRING (Ref # 92081)                 | 16040-026   | 1        |
| SPRING,THROTTLE VALVE (Ref # 92081A) | 92081-1259  | 2        |
| SPRING,FAST IDLE SHFT (Ref # 92081B) | 92081-1260  | 1        |
| SPRING,IDLING ADJUST (Ref # 92081C)  | 92081-1377  | 1        |
| SPRING,THROTTLE SENSO (Ref # 92081D) | 92081-1634  | 1        |
| SPRING,FAST IDLE ADJU (Ref # 92081E) | 92081-1635  | 1        |
| SCREW-PAN-CROS,4X18 (Ref # 220)      | 220B0418    | 1        |
| SCREW PAN HEAD 5X12 (Ref # 220A)     | 220B0512    | 1        |
| SCREW PAN HEAD 6X10 (Ref # 220B)     | 220B0610    | 4        |
| SCREW PAN HEAD 6X16 (Ref # 220C)     | 220B0616    | 1        |
| SCREW PAN HEAD 6X18 (Ref # 220D)     | 220B0618    | 6        |
| SCREW CNTSNK HD 5X8 (Ref # 221)      | 221B0508    | 1        |
| SCREW CNTSNK HD 6X16 (Ref # 221A)    | 221B0616    | 1        |
| SCREW-CSK-CROS,4X14 (Ref # 221B)     | 221C0414    | 2        |
| SCREW-PAN-WS-CROS (Ref # 223)        | 223B0508    | 2        |
| SCREW-PAN-WSP-CROS (Ref # 225)       | 225B0510    | 2        |