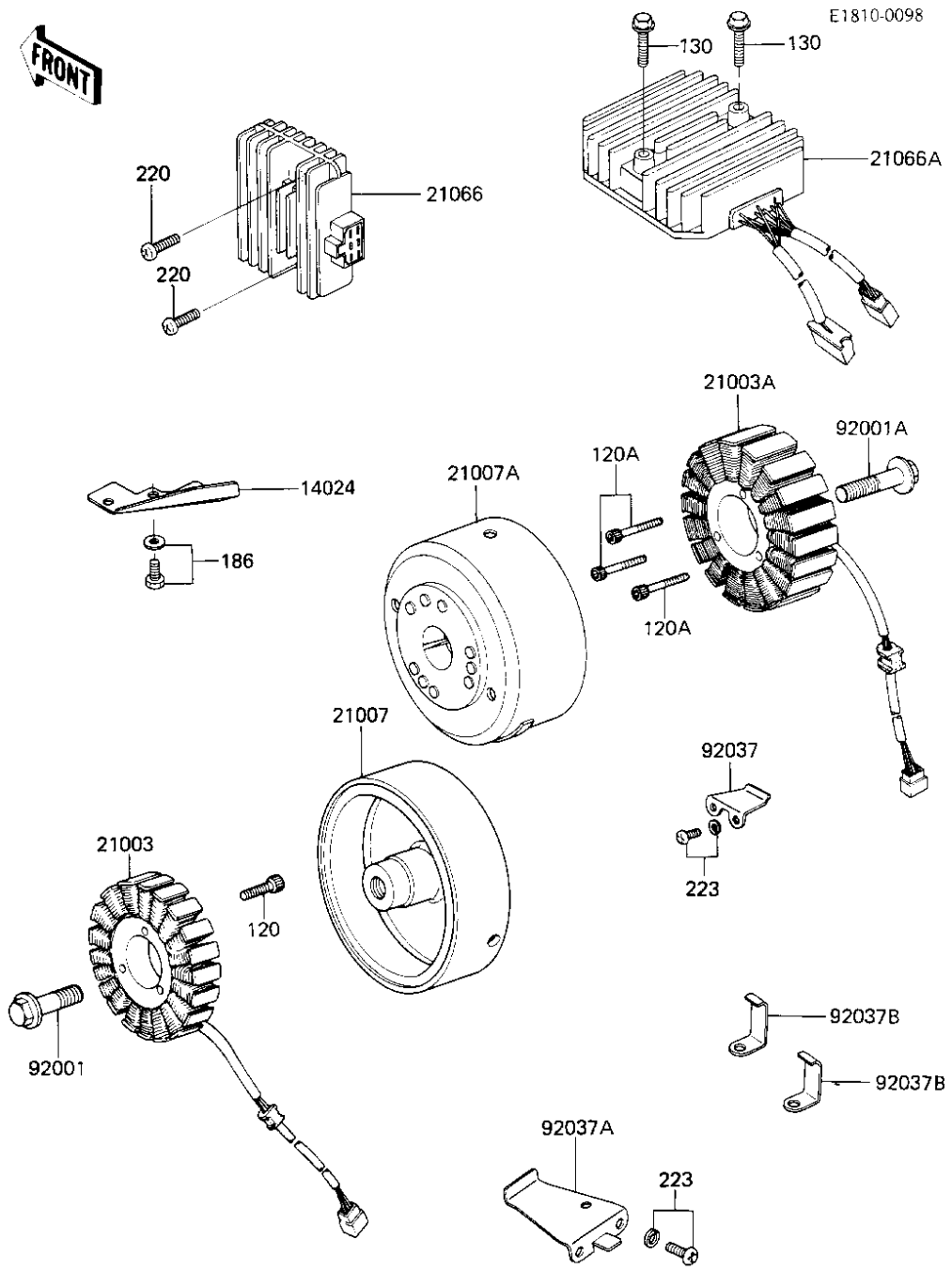


1986 Voyager PARTS DIAGRAM

GENERATOR/REGULATOR



Ref	Qty
1	1
2	2
2	2
2	2
2	2
2	2
9	9
9	9
9	9
9	9

1986 Voyager PARTS LIST

GENERATOR/REGULATOR

ITEM NAME	PART NUMBER	QUANTITY
COVER,GENERATOR LEAD (Ref # 14024)	14025-1391	1
STATOR (Ref # 21003)	21003-1064	1
STATOR,RH (Ref # 21003A)	21003-1104	1
ROTOR (Ref # 21007)	21007-1051	1
ROTOR,RH (Ref # 21007A)	21007-1073	1
REGULATOR-VOLTAGE (Ref # 21066)	21066-1038	1
REGULATOR-VOLTAGE (Ref # 21066A)	21066-1051	1
BOLT (Ref # 92001)	92001-1012	1
BOLT,12X40 (Ref # 92001A)	92001-1146	1
CLAMP,GENERATOR LEAD (Ref # 92037)	92037-1287	1
CLAMP,LEAD WIRE (Ref # 92037A)	92037-1343	1
CLAMP,LEAD WIRE (Ref # 92037B)	92037-1345	2
BOLT-SOCKET,5X30 (Ref # 120)	120P0530	3
BOLT,SOCKET,6X35 (Ref # 120A)	120P0635	3
BOLT-FLANGED,5X35 (Ref # 130)	130B0535	2
BOLT-UPSET-WP (Ref # 186)	186D0610	2
SCREW PAN HEAD 6X20 (Ref # 220)	220B0620	2
SCREW-PAN-WS-CROS (Ref # 223)	223B0510	4