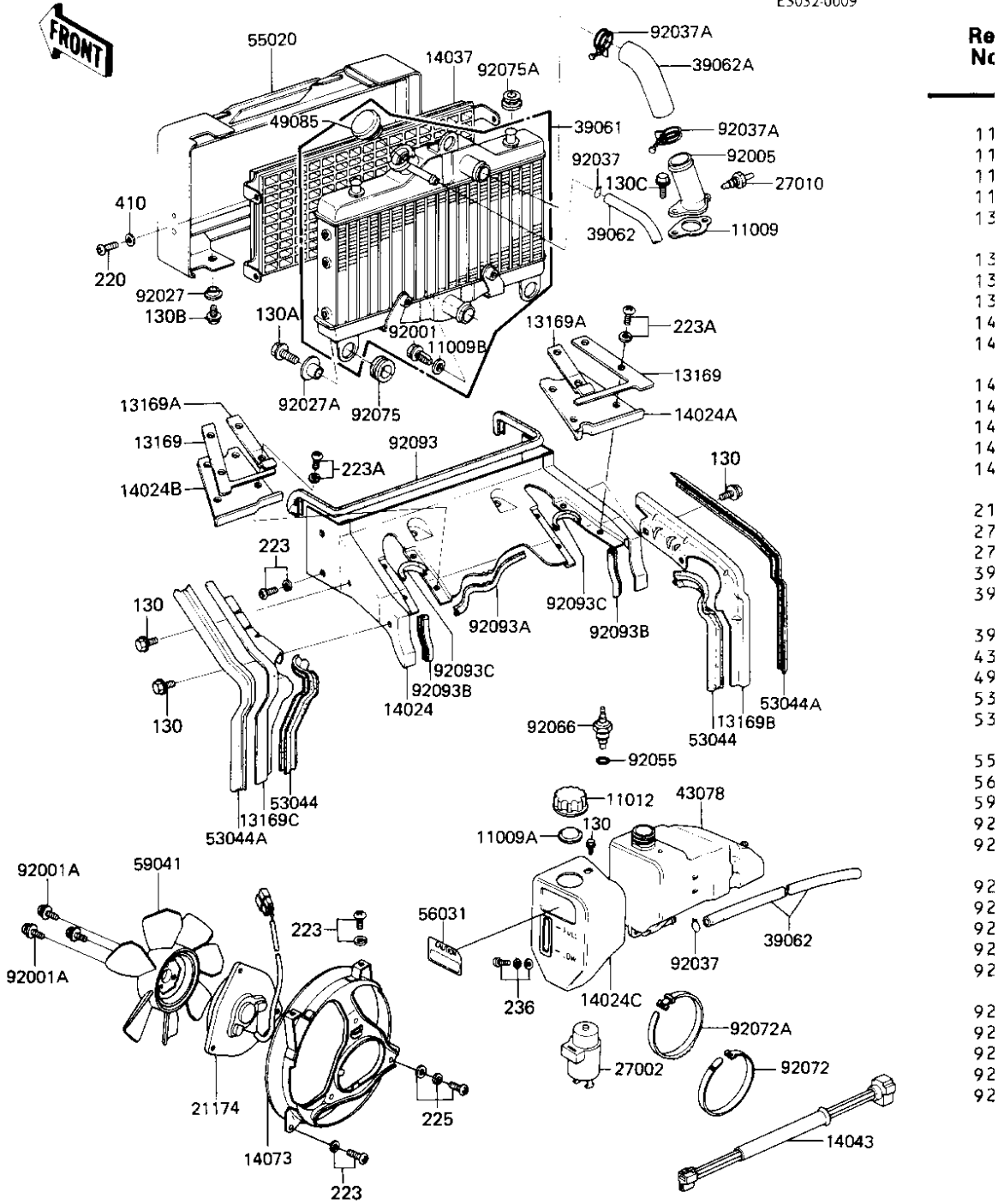


1986 Voyager PARTS DIAGRAM

RADIATOR/FAN/COOLANT TANK

E3032-0009



Ref	No
	11
	11
	11
	11
	13
	13
	13
	13
	14
	14
	14
	14
	14
	14
	14
	21
	27
	27
	39
	39
	39
	43
	49
	53
	53
	55
	56
	59
	92
	92
	92
	92
	92
	92
	92
	92
	92
	92

1986 Voyager PARTS LIST

RADIATOR/FAN/COOLANT TANK

ITEM NAME	PART NUMBER	QUANTITY
GASKET,HOSE FITTING (Ref # 11009)	11009-1100	1
GASKET,RESERVE TANK (Ref # 11009A)	11009-1145	1
GASKET,DRAIN PLUG (Ref # 11009B)	11009-1152	1
CAP,RESERVE TANK (Ref # 11012)	11012-1084	1
PLATE,RADIATOR OUTSID (Ref # 13169)	13169-1714	2
PLATE,RADIATOR INSIDE (Ref # 13169A)	13169-1715	2
PLATE,RADIATOR COVER, (Ref # 13169B)	13169-1740	1
PLATE,RADIATOR COVER, (Ref # 13169C)	13169-1741	1
COVER,RADIATOR (Ref # 14024)	14025-1665	1
COVER,RH (Ref # 14024A)	14025-1666	1
COVER (Ref # 14024B)	14025-1667	1
COVER,RESERVOIR TANK (Ref # 14024C)	14025-1681	1
SCREEN,RADIATOR (Ref # 14037)	14037-1009	1
FILTER,AUDIO-NOISE (Ref # 14043)	14043-1053	1
SHROUD,FAN (Ref # 14073)	14073-1100	1
MOTOR-ELECTRIC,FAN (Ref # 21174)	21174-1052	1
RELAY-ASSY (Ref # 27002)	27002-1051	1
SWITCH,FAN (Ref # 27010)	27010-1026	1
EXCHANGER-ASSY-HEAT,W (Ref # 39061)	39061-1017	1
HOSE,COOLNG,7X12X1500 (Ref # 39062)	39062-1003	1
HOSE-COOLING (Ref # 39062A)	39062-1019	1
TANK,RESERVE (Ref # 43078)	43078-1007	1
CAP-ASSY-PRESSURE (Ref # 49085)	49085-1051	1
TRIM,RADIATER PLATE,I (Ref # 53044)	53044-1114	2
TRIM,RADIATER PLATE,O (Ref # 53044A)	53044-1115	2
GUARD,RADIATOR (Ref # 55020)	55020-1102	1
LABEL,COOLANT (Ref # 56031)	56031-1221	1
FAN,COOLING (Ref # 59041)	59041-1051	1
BOLT,RADIATOR DRAIN (Ref # 92001)	92002-1682	1

1986 Voyager PARTS LIST

RADIATOR/FAN/COOLANT TANK

ITEM NAME	PART NUMBER	QUANTITY
BOLT (Ref # 92001A)	92001-1902	3
FITTING,UPPER HOSE (Ref # 92005)	92005-1012	1
COLLAR,RADIATOR GUARD (Ref # 92027)	92027-1577	2
COLLAR,RADIATOR (Ref # 92027A)	92027-1699	3
CLAMP-HOSE (Ref # 92037)	92037-1104	2
CLAMP,HOSE (Ref # 92037A)	92037-1177	2
"O" RING,13.5MM (Ref # 92055)	92055-073	1
SENDER,WATER TEMPRATR (Ref # 92066)	92066-1028	1
BAND,SHORT (Ref # 92072)	92072-030	1
BAND,WIRING HARNESS (Ref # 92072A)	92072-056	1
DAMPER,RADIATOR (Ref # 92075)	92075-1127	3
DAMPER,RADIATOR GUARD (Ref # 92075A)	92075-1469	2
SEAL,RADIATOR,L=940 (Ref # 92093)	92093-1089	1
SEAL,RADIATOR,L=220 (Ref # 92093A)	92093-1090	1
SEAL,RADIATOR,L=55 (Ref # 92093B)	92093-1091	2
SEAL,RADIATOR,L=80 (Ref # 92093C)	92093-1092	2
BOLT-FLANGED,6X10,BLA (Ref # 130)	130C0610	5
BOLT-FLANGED,8X25 (Ref # 130A)	130C0825	3
BOLT-FLANGED,6X12 (Ref # 130B)	130N0612	2
BOLT-FLANGED (Ref # 130C)	130X0625	2
SCREW PAN HEAD 6X12 (Ref # 220)	220B0612	4
SCREW-PAN-WS-CROS (Ref # 223)	223B0610	6
SCREW-PAN-WS-CROS (Ref # 223A)	223C0614	8
SCREW-PAN-WSP-CROS (Ref # 225)	225B0510	3
SCREW-PAN-WSP-CROS (Ref # 236)	236D0616	1
WASHER PLAIN 6MM (Ref # 410)	410B0600	4