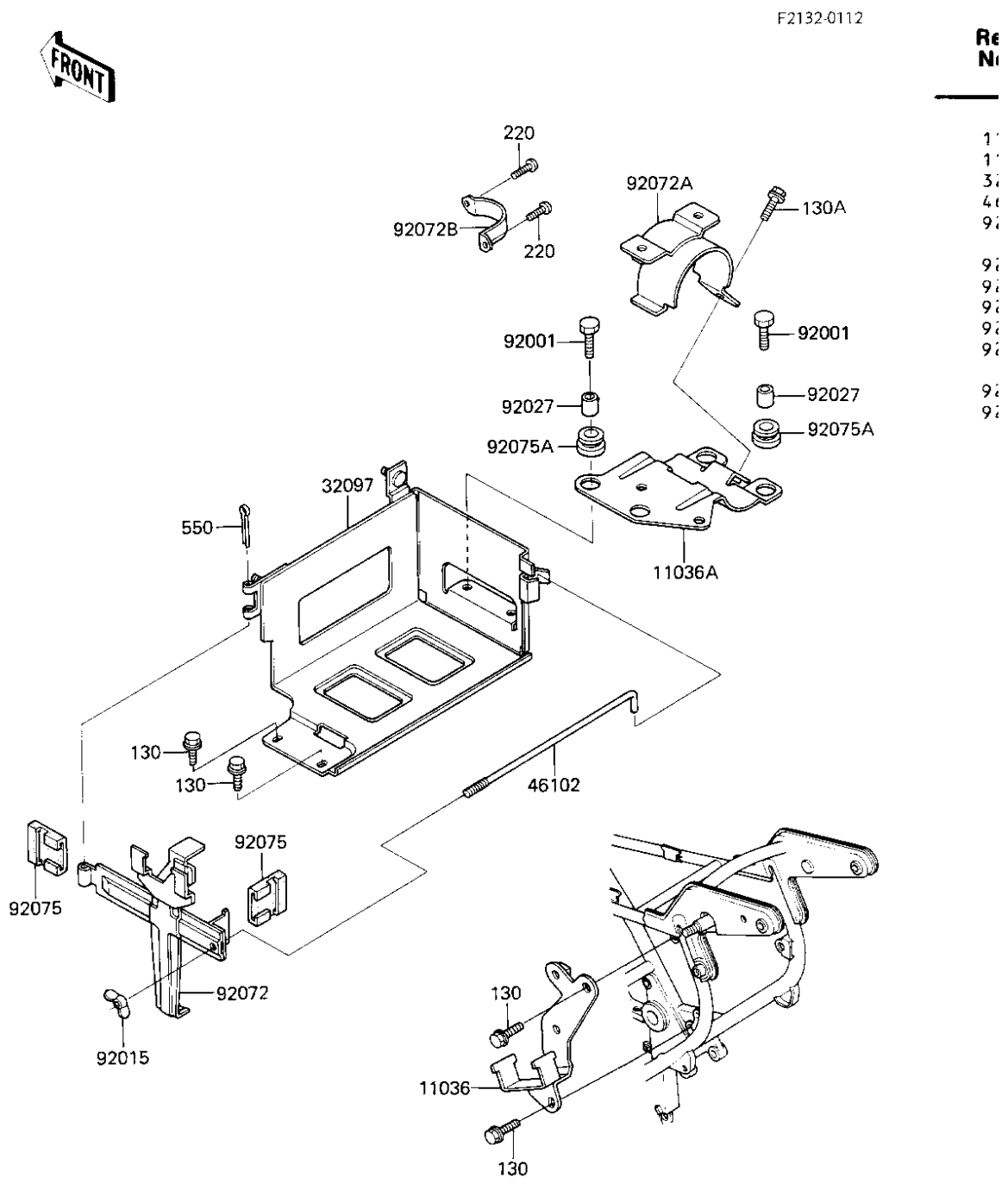


1986 Voyager PARTS DIAGRAM

BATTERY CASE



F2132-0112

**Re
Ni**

- 17
- 17
- 32
- 40
- 92
- 92
- 92
- 92
- 92
- 92
- 92
- 92
- 92
- 92
- 92

1986 Voyager PARTS LIST

BATTERY CASE

| ITEM NAME | PART NUMBER | QUANTITY |
|------------------------------------|-------------|----------|
| BRACKET-A,REGULATOR (Ref # 11036) | 11036-1973 | 1 |
| BRACKET-A,FUEL PUMP (Ref # 11036A) | 11036-1974 | 1 |
| CASE-BATTERY (Ref # 32097) | 32097-1066 | 1 |
| ROD (Ref # 46102) | 46102-1065 | 1 |
| BOLT,6X20 (Ref # 92001) | 92001-1773 | 4 |
| NUT,AIR CLEANER CAP (Ref # 92015) | 92016-062 | 1 |
| COLLAR 6.8X10X10.5 (Ref # 92027) | 92027-120 | 4 |
| BAND,BATTERY (Ref # 92072) | 92072-1098 | 1 |
| BAND,FUEL PUMP (Ref # 92072A) | 92072-1099 | 1 |
| BAND,FILTER (Ref # 92072B) | 92072-1100 | 1 |
| DAMPER,BATTERY BAND (Ref # 92075) | 92075-1476 | 2 |
| DAMPER RUBBER (Ref # 92075A) | 92075-277 | 4 |
| BOLT-FLANGED,6X10,BLA (Ref # 130) | 130C0610 | 4 |
| BOLT-FLANGED,6X12 (Ref # 130A) | 130C0612 | 1 |
| SCREW PAN HEAD 4X10 (Ref # 220) | 220B0410 | 2 |
| PIN-COTTER,4.0X35 (Ref # 550) | 550D4035 | 1 |