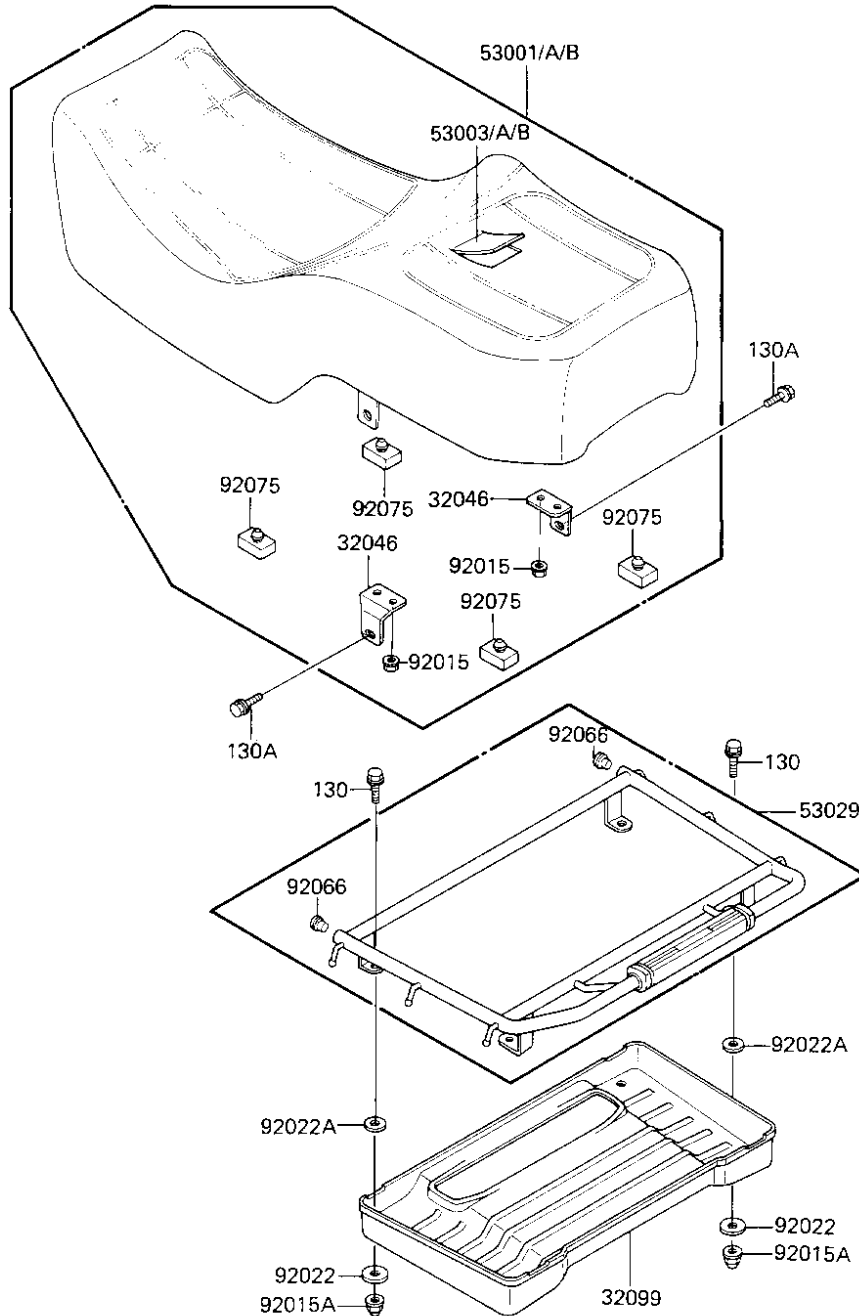


1986 Voyager PARTS DIAGRAM

SEAT/CARRIER

F 2510-0223



**Re
No**

- 3.
- 3.
- 5.
- 5.
- 5.
- 5.
- 5.
- 5.
- 9.
- 9.
- 9.
- 9.
- 9.
- 9.

1986 Voyager PARTS LIST

SEAT/CARRIER

ITEM NAME	PART NUMBER	QUANTITY
BRACKET-SEAT (Ref # 30246)	32046-1203	2
CASE,CARRIER (Ref # 32099)	32099-1035	1
SEAT-ASSY,DUAL (Ref # 53001B)	53001-1444	1
LEATHER,SEAT (Ref # 53003B)	53003-1150	1
CARRIER,TRUNK (Ref # 53029)	53029-1030	1
NUT-6MM (Ref # 92015)	92015-1078	4
NUT,LOCK 6MM (Ref # 92015A)	92015-1262	4
WASHER,7X28X1.6,BLACK (Ref # 92022)	92022-1392	4
WASHER,RUBBER (Ref # 92022A)	92022-1477	4
PLUG,CARRIER (Ref # 92066)	92066-1119	2
DAMPER RUBBER (Ref # 92075)	92075-099	4
BOLT,FLANGED,6X18 (Ref # 130)	130B0618	4
BOLT-FLANGED,8X16 (Ref # 130A)	130G0816	2