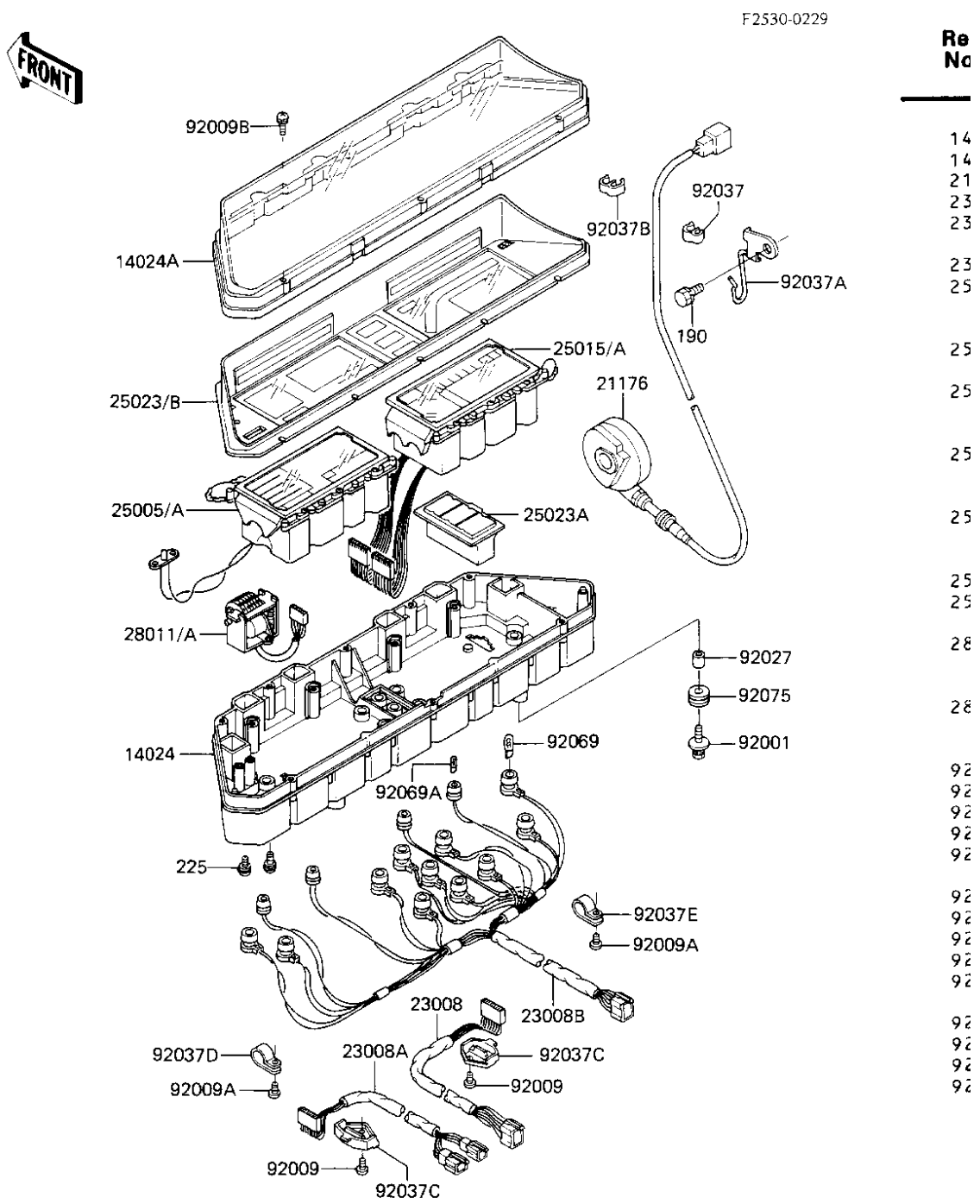


1983 Voyager PARTS DIAGRAM

METERS



1983 Voyager PARTS LIST

METERS

ITEM NAME	PART NUMBER	QUANTITY
COVER,METER,LWR (Ref # 14024)	14025-1793	1
COVER,METER,UPP (Ref # 14024A)	14025-1794	1
SENSOR (Ref # 21176)	21176-1053	1
SOCKET-ASSY,TACHOMETE (Ref # 23008)	23008-1206	1
SOCKET-ASSY,SPEEDOMET (Ref # 23008A)	23008-1207	1
SOCKET-ASSY,PILOT LAM (Ref # 23008B)	23008-1208	1
SPEEDOMETER,LCD,MPH (Ref # 25005)	25005-1254	1
SPEEDOMETER,LCD,KM/H (Canada) (Ref # 25005A)	25005-1255	1
TACHOMETER,LCD,(X1000 (Ref # 25015)	25015-1203	1
TACHOMETER,LCD,(X1000RPM) (Can (Ref # 25015A)	25015-1204	1
COVER-METER CASE (Ref # 25023)	25023-1104	1
COVER-METER CASE,PILO (Ref # 25023A)	25023-1105	1
COVER-METER CASE (Canada) (Ref # 25023B)	25023-1106	1
METER,ODO METER (Ref # 28011)	28011-1055	1
METER,ODO METER (Canada) (Ref # 28011A)	28011-1056	1
BOLT,6X25 (Ref # 92001)	92002-1137	4
SCREW,TAPPING,3X12,BL (Ref # 92009)	92009-1028	2
SCREW,TAPPING,4X12 (Ref # 92009A)	92009-1254	2
SCREW,3X14 (Ref # 92009B)	92009-1280	8
COLLAR,REAR FENDER (Ref # 92027)	92027-162	4
CLAMP,CASE ASSY,WIRE (Ref # 92037)	92037-1249	2
CLAMP,SPEEDO CENCER L (Ref # 92037A)	92037-1453	1
CLAMP,BRAKE HOSE & SE (Ref # 92037B)	92037-1458	3
CLAMP,METER,SOCKET AS (Ref # 92037C)	92037-1478	2
CLAMP,METER,SOCKET AS (Ref # 92037D)	92037-1479	1
CLAMP,METER,SOCKET AS (Ref # 92037E)	92037-1480	1
BULB,12V3.4W (Ref # 92069)	92069-1007	11
BULB,12V1.4W T-5 (Ref # 92069A)	92069-1051	4
DAMPER RUBBER,RR FENR (Ref # 92075)	92075-209	4

1983 Voyager PARTS LIST

METERS

ITEM NAME	PART NUMBER	QUANTITY
BOLT-UPSET-WS,10X14 (Ref # 190)	190C1014	1
SCREW-PAN-WSP-CROS (Ref # 225)	225B0410	2