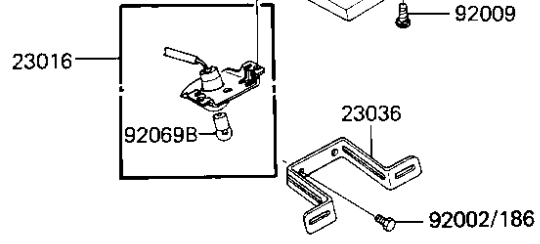
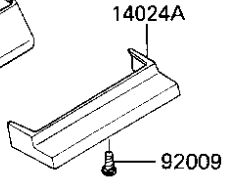
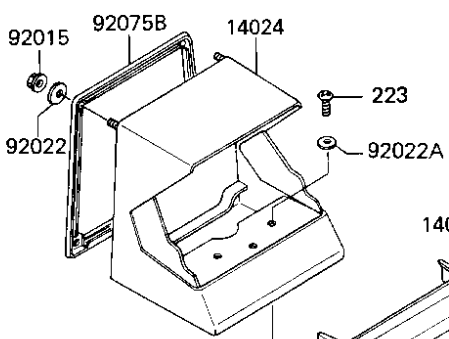
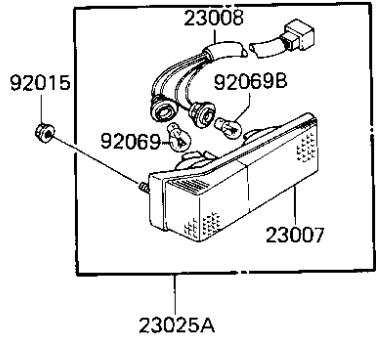
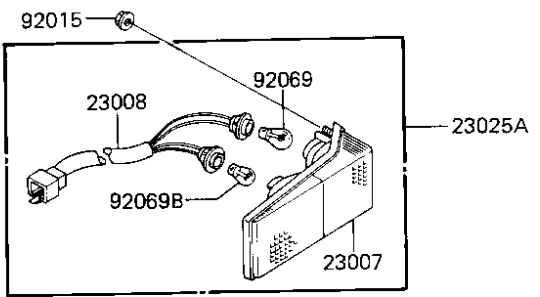
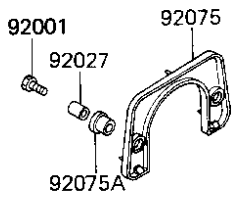
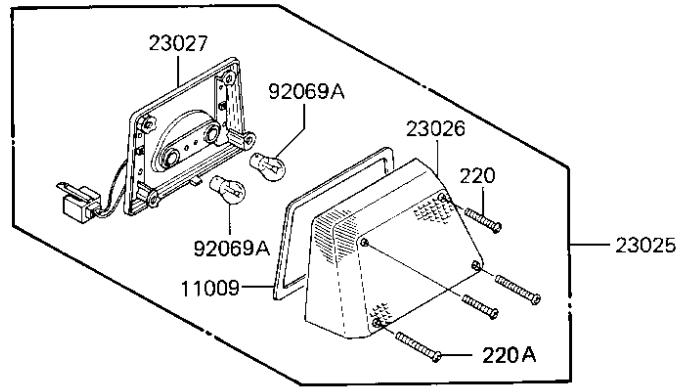


# 1983 Voyager PARTS DIAGRAM

## TAILLIGHT/REAR TURN SIGNALS

F2720-0169



Part No.	QTY
23027	1
92069A	1
23026	1
220	2
23025	2
11009	2
220A	2
92069A	2
92075	2
92001	9
92027	9
92075A	9
23008	9
92069	9
92069B	9
23007	9
92015	9
92075B	9
14024	9
223	9
92022	9
92022A	9
14024A	9
92009	9
23016	9
92069B	9
23036	9
92002/186	9

# 1983 Voyager PARTS LIST

## TAILLIGHT/REAR TURN SIGNALS

ITEM NAME	PART NUMBER	QUANTITY
GASKET, TAIL LAMP LENS (Ref # 11009)	11009-1098	1
COVER, LICENSE PLATE, U (Ref # 14024)	14025-1669	1
COVER, LICENSE PLATE, L (Ref # 14024A)	14025-1670	1
LENS-COMP, TAIL LAMP (Ref # 23007)	23007-1101	2
SOCKET-ASSY, TAIL LAMP (Ref # 23008)	23008-1203	2
LAMP-ASSY, TAIL (Ref # 23016)	23016-1024	1
LAMP-TAIL, & STOP (Ref # 23025)	23025-1049	1
LAMP-TAIL, & TURN SIGN (Ref # 23025A)	23025-1050	2
LENS, TAIL LAMP (Ref # 23026)	23026-1055	1
BODY-COMP-TAIL LAMP (Ref # 23027)	23027-1054	1
BRACKET-TAIL LAMP (Ref # 23036)	23036-1054	1
BOLT, 6X30 (Ref # 92001)	92001-1776	2
BOLT (Ref # 92002)	92002-1260	2
SCREW, SEAT COVER FITT (Ref # 92009)	92008-010	1
NUT, FLANGED, 5MM (Ref # 92015)	92015-1259	8
WASHER PL 5.5X20X1.2 (Ref # 92022)	92022-104	4
WASHER, 4X12X1 (Ref # 92022A)	92022-1245	2
COLLAR, 6.8X10X17.6 (Ref # 92027)	92027-1316	2
BULB 12V 32CP (Ref # 92069)	92069-055	2
BULB, 12V 32/3CP (Ref # 92069A)	92069-059	2
BULB, 12V 4CP (Ref # 92069B)	92069-1012	3
DAMPER RUBBER, TAIL LP (Ref # 92075)	92075-1111	1
DAMPER, TAIL LAMP (Ref # 92075A)	92075-1367	2
DAMPER, LICENSE COVER (Ref # 92075B)	92075-1471	1
BOLT (Ref # 186)	186B0614	2
SCREW-PAN-CROS (Ref # 220)	220B0445	2
SCREW-PAN-CROS (Ref # 220A)	220B0460	2
SCREW-PAN HEAD, 4X12MM (Ref # 223)	223B0412	2