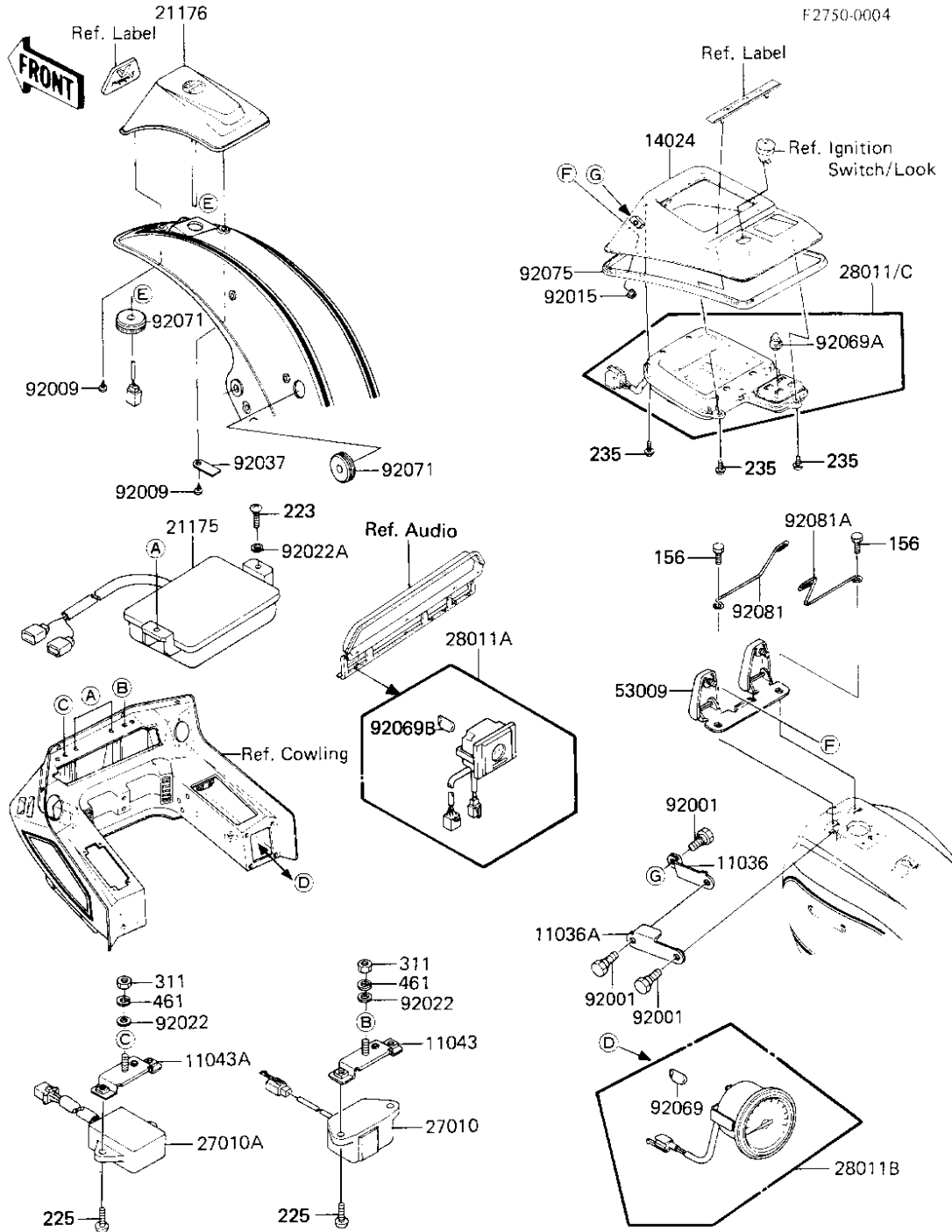


1986 Voyager PARTS DIAGRAM

DRIVE COMPUTER/ELECTRONIC EQUIPMENT



Ref. Label	Part No.
	17
	17
	17
	17
	14
	27
	27
	27
	28
	28
	28
	28
	28
	53
	92
	92
	92
	92
	92
	92
	92
	92
	92
	92

1986 Voyager PARTS LIST

DRIVE COMPUTER/ELECTRONIC EQUIPMENT

ITEM NAME	PART NUMBER	QUANTITY
BRACKET-A,STOPPER (Ref # 11036)	11036-1950	1
BRACKET-A,STOPPER (Ref # 11036A)	11036-1951	1
BRACKET-B,SPEAKER (Ref # 11043)	11043-1253	1
BRACKET-B,SPEAKER (Ref # 11043A)	11043-1254	1
COVER,DRIVE COMPUTER (Ref # 14024)	14025-1641	1
CONTROL UNIT-ELECTRON (Ref # 21175)	21175-1009	1
SENSOR,QUARTER (Ref # 21176)	21176-1005	1
SWITCH,RESERV LIGHTIN (Ref # 27010)	27010-1066	1
SWITCH,TURN SIGNAL OP (Ref # 27010A)	27010-1153	1
METER,DRIVE COMPUTER (Ref # 28011)	28011-1037	1
METER,QUARTER (Ref # 28011A)	28011-1038	1
METER,AIR SUSPENSION (Ref # 28011B)	28011-1039	1
METER,DRIVE COMPUTER (Canada) (Ref # 28011C)	28011-1057	1
HINGE,DRIVE COMPUTER (Ref # 53009)	53009-1037	1
BOLT,STOPPER (Ref # 92001)	92001-1815	3
SCREW,4X16,BLACK (Ref # 92009)	92009-1158	3
NUT,FLANGED,5MM (Ref # 92015)	92015-1259	2
WASHER,6.5X20X1.6.BLA (Ref # 92022)	92022-1346	2
WASHER,PLAIN,6MM (Ref # 92022A)	92022-263	2
CLAMP,SENSOR LEAD (Ref # 92037)	92037-1490	1
BULB,12V3.4W (Ref # 92069)	92069-1007	1
BULB,12V 1.4W (Ref # 92069A)	92069-1056	3
BULB,12V 1.7W (Ref # 92069B)	92069-1059	1
GROMMET,SENSOR LEAD (Ref # 92071)	92071-1058	2
DAMPER,COVER (Ref # 92075)	92075-1460	1
SPRING,LH (Ref # 92081)	92081-1546	1
SPRING,RH (Ref # 92081A)	92081-1547	1
BOLT-WP (Ref # 156)	156B0514	2
SCREW-PAN-WS-CROS,5X2 (Ref # 223)	223B0520	2

1986 Voyager PARTS LIST

DRIVE COMPUTER/ELECTRONIC EQUIPMENT

ITEM NAME	PART NUMBER	QUANTITY
SCREW-PAN-WSP-CROS (Ref # 225)	225B0620	4
SCREW-PAN-WP-CROS (Ref # 235)	235B0514	4
NUT-HEX,6MM,BLACK (Ref # 311)	311C0600	2
WASHER-SPRING,6MM,BLA (Ref # 461)	461K0600	2