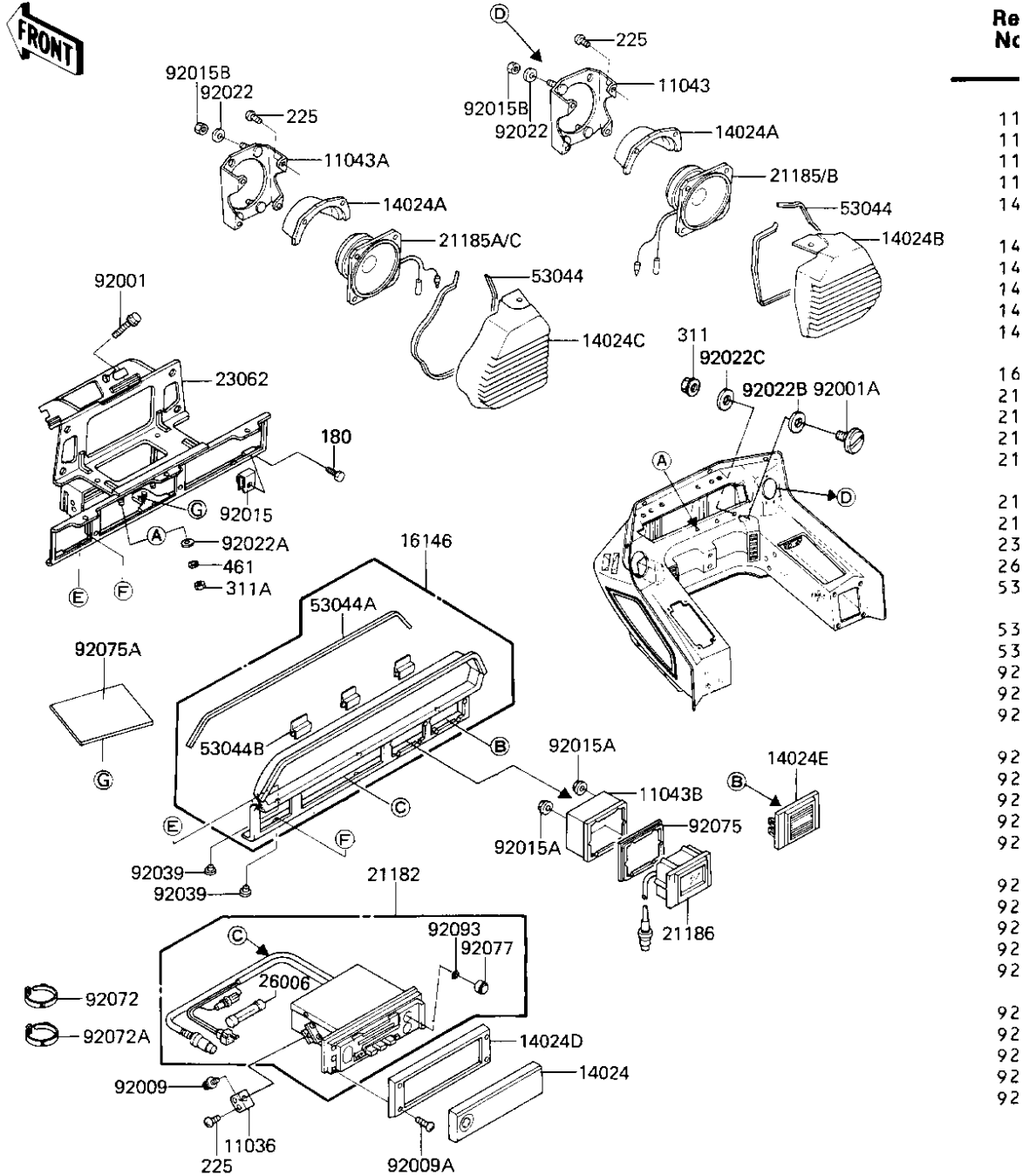


# 1986 Voyager PARTS DIAGRAM

## AUDIO

F2750A-0002



# 1986 Voyager PARTS LIST

## AUDIO

ITEM NAME	PART NUMBER	QUANTITY
BRACKET-A,CASSETTE DEC (Ref # 11036)	11036-1969	2
BRACKET-B,SPEAKER,RH (Ref # 11043)	11043-1321	1
BRACKET-B,SPEAKER,LH (Ref # 11043A)	11043-1322	1
BRACKET,B,RADIO INDIC (Ref # 11043B)	11043-1359	1
COVER,ANTI THEFT (Ref # 14024)	14025-1685	1
COVER,SPEAKER (Ref # 14024A)	14025-1686	2
COVER,SPEAKER,RH (Ref # 14024B)	14025-1780	1
COVER,SPEAKER,LH (Ref # 14024C)	14025-1781	1
COVER,CASSETTE DECK (Ref # 14024D)	14025-1789	1
COVER,CB INDICATOR (Ref # 14024E)	14025-1790	1
COVER-ASSY,METER (Ref # 16146)	16146-1054	1
CASSETTE,DECK (Ref # 21182)	21182-1051	1
SPEAKER,RH (Ref # 21185B)	21185-1053	1
SPEAKER,LH (Ref # 21185C)	21185-1054	1
INDICATOR,DIGITAL,RAD (Ref # 21186)	21186-1051	1
BRACKET-COMP,CASSETTE (Ref # 23062)	23062-1034	1
FUSE 2A, (Ref # 26006)	26006-1001	1
TRIM,SPEAKER COVER,L= (Ref # 53044)	53044-1112	2
TRIM,METER COVER (Ref # 53044A)	53044-1116	1
TRIM,METER COVER (Ref # 53044B)	53044-1118	3
BOLT,W/SP,6X18 (Ref # 92001)	92001-1764	2
BOLT,SPEAKER SWITCH (Ref # 92001A)	92001-1879	1
SCREW,PAN-CROS,W.WASH (Ref # 92009)	92009-1259	2
SCREW,SOCKET,SX8 (Ref # 92009A)	92009-1268	4
NUT,CASSETTE DECK (Ref # 92015)	92015-1248	2
NUT,FLANGED,4MM (Ref # 92015A)	92015-1319	4
NUT,AIR CLEANER CAP (Ref # 92015B)	92016-062	6
WASHER 6.5X20X1.6T (Ref # 92022)	92022-125	6
WASHER,6.5X20X1.6.BLA (Ref # 92022A)	92022-1346	2

# 1986 Voyager PARTS LIST

## AUDIO

ITEM NAME	PART NUMBER	QUANTITY
WASHER,12.3X22X1.6 (Ref # 92022B)	92022-1515	1
WASHER,PLAIN,7MM (Ref # 92022C)	92022-228	1
RIVET (Ref # 92039)	92039-1041	6
BAND,MIDDLE (Ref # 92072)	92072-031	5
BAND,LONG (Ref # 92072A)	92072-032	2
DAMPER,INDICATOR (Ref # 92075)	92075-1577	1
DAMPER,CASSETTE (Ref # 92075A)	92075-1607	1
KNOB,CASSETTE DECK (Ref # 92077)	92077-1053	2
SEAL,CASSETTE DECK (Ref # 92093)	92093-1155	2
BOLT-UPSET-WS (Ref # 180)	180C0618	2
SCREW-PAN-WSP-CROS (Ref # 225)	225B0410	12
NUT 6MM (Ref # 311)	311B0600	1
NUT-HEX,6MM,BLACK (Ref # 311A)	311C0600	2
WASHER-SPRING,6MM,BLA (Ref # 461)	461K0600	2