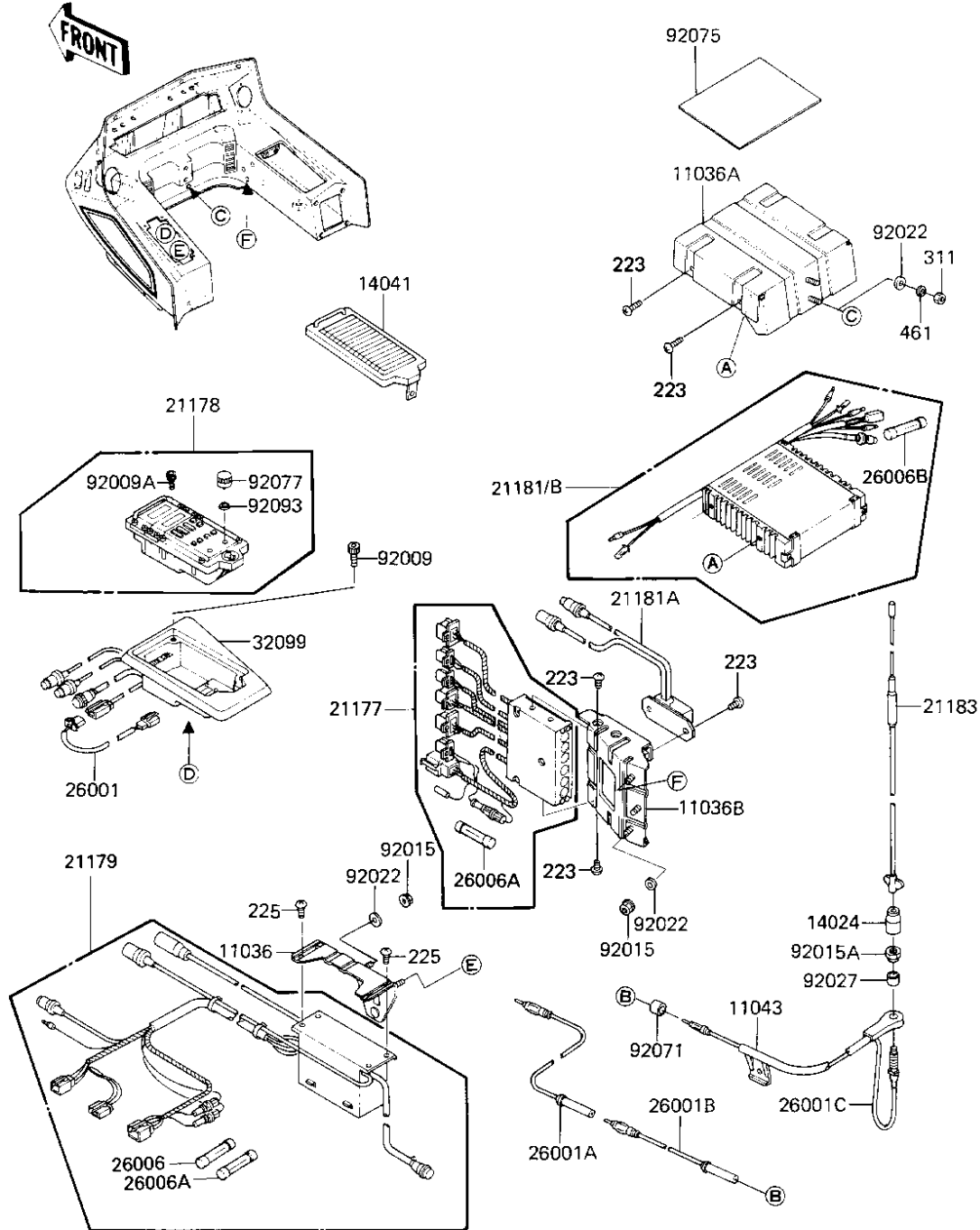


# 1983 Voyager PARTS DIAGRAM

AUDIO A

F2750B-0003



Part No.	QTY
92075	11
11036A	11
92022	11
311	14
223	14
461	21
223	21
26006B	21
21181/B	21
26009A	21
92077	26
92093	26
92009	26
21181/A	26
223	26
223	92
21183	92
21177	92
26001	92
21179	92
11036	92
225	92
92022	92
92015	92
26006	92
26006A	92
14024	92
92015A	92
92027	92
11043	92
92071	92
26001B	92
26001A	92
26001C	92

# 1983 Voyager PARTS LIST

## AUDIO A

ITEM NAME	PART NUMBER	QUANTITY
BRACKET-A,RADIO (Ref # 11036)	11036-1955	1
BRACKET-A,AMPLIFIER (Ref # 11036A)	11036-1956	1
BRACKET-A,CONTROLLER (Ref # 11036B)	11036-1957	1
BRACKET-B,ANTENNA (Ref # 11043)	11043-1296	1
COVER-ASSY-ANTENNA (Ref # 14024)	14025-5128	1
COVER,COMP,CONT.SW (Ref # 14041)	14041-1023	1
CONTROLLER,MIXING (Ref # 21177)	21177-1001	1
CONTROL,SWITCH (Ref # 21178)	21178-1051	1
RADIO,TUNER (Ref # 21179)	21179-1001	1
AMPLIFIER,POWER (Ref # 21181)	21181-1001	1
AMPLIFIER,LOW BOOSTER (Ref # 21181A)	21181-1051	1
ANTENNA,ROD (Ref # 21183)	21183-1051	1
HARNESS,CONTROL SW (Ref # 26001)	26001-1563	1
HARNESS,ANTENNA (Ref # 26001A)	26001-1564	1
HARNESS,ANTENNA (Ref # 26001B)	26001-1565	1
COVER-ASSY-ANTENNA (Ref # 26001C)	14025-5128	1
FUSE 2A, (Ref # 26006)	26006-1001	1
FUSE,1A,L=30 (Ref # 26006A)	26006-1055	2
FUSE,4A,L=30 (Ref # 26006B)	26006-1058	1
CASE,CONTROL SW (Ref # 32099)	32099-1053	1
SCREW,SOCKET,5MM (Ref # 92009)	92009-1267	4
SCREW,SOCKET,SX8 (Ref # 92009A)	92009-1268	12
NUT,LOCK 6MM (Ref # 92015)	92015-1262	6
NUT,ANTENNA (Ref # 92015A)	92015-1313	1
WASHER,6.5X20X1.6.BLA (Ref # 92022)	92022-1346	8
COLLAR,ANTENNA (Ref # 92027)	92027-1681	1
GROMMET,ANTENNA LEAD (Ref # 92071)	92071-1057	1
DAMPER,BATTERY BASE (Ref # 92075)	92075-1076	1
KNOB,CASSETTE DECK (Ref # 92077)	92077-1053	2

# 1983 Voyager PARTS LIST

## AUDIO A

ITEM NAME	PART NUMBER	QUANTITY
SEAL,CASSETTE DECK (Ref # 92093)	92093-1155	2
SCREW-PAN-WS-CROS (Ref # 223)	223B0510	10
SCREW-PAN-WSP-CROS (Ref # 225)	225B0410	4
NUT-HEX,6MM,BLACK (Ref # 311)	311C0600	2
WASHER-SPRING,6MM,BLA (Ref # 461)	461K0600	2