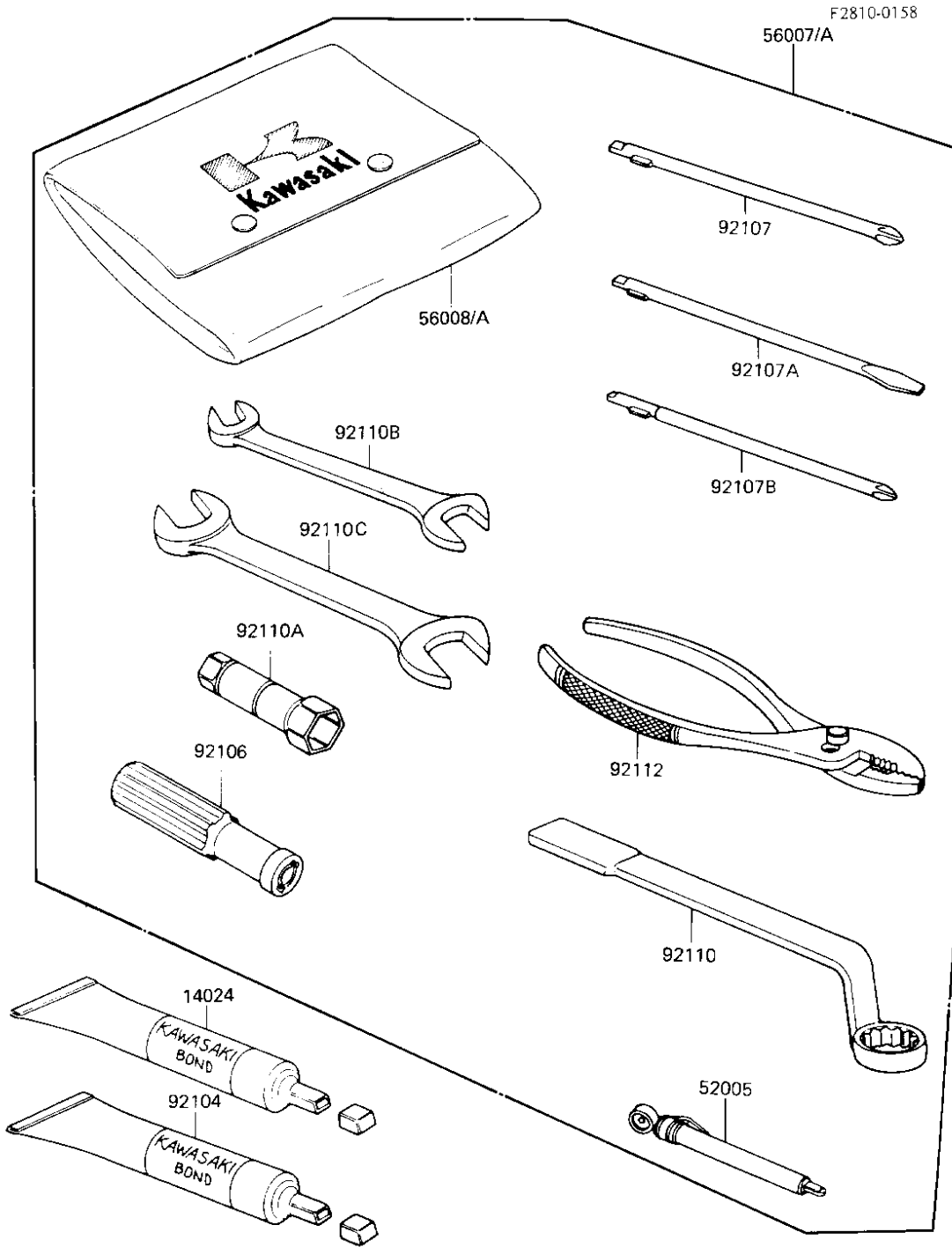


1983 Voyager PARTS DIAGRAM

OWNER TOOLS



Re	Num
14	
50	
50	
50	
50	
50	
92	
92	
92	
92	
92	
92	
92	
92	
92	

1983 Voyager PARTS LIST

OWNER TOOLS

ITEM NAME	PART NUMBER	QUANTITY
BOND,#10 (Ref # 14024)	56019-120	1
GAUGE,AIR,3.5KG/CM2 (Ref # 52005)	52005-1031	1
TOOLKIT (Ref # 56007)	56007-1167	1
BAG,TOOL (Ref # 56008)	56008-1012	1
LIQUID GASKET (Ref # 92104)	92104-002	1
GRIP,SCREW DRIVER (Ref # 92106)	92106-1002	1
TOOL-DRIVER (Ref # 92107)	92107-1052	1
92107-1052 (Canada) (Ref # 92107A)	92107-007	1
92107-1002 (Canada) (Ref # 92107B)	92107-008	1
WRENCH,17M/M (Ref # 92110)	92110-1026	1
WRENCH,SPARK PLUG (Ref # 92110A)	92110-1027	1
TOOL-WRENCH,OPEN END (Ref # 92110B)	92110-1038	1
TOOL-WRENCH,OPEN END, (Ref # 92110C)	92110-1153	1
PLIERS,160MM (Ref # 92112)	92112-003	1