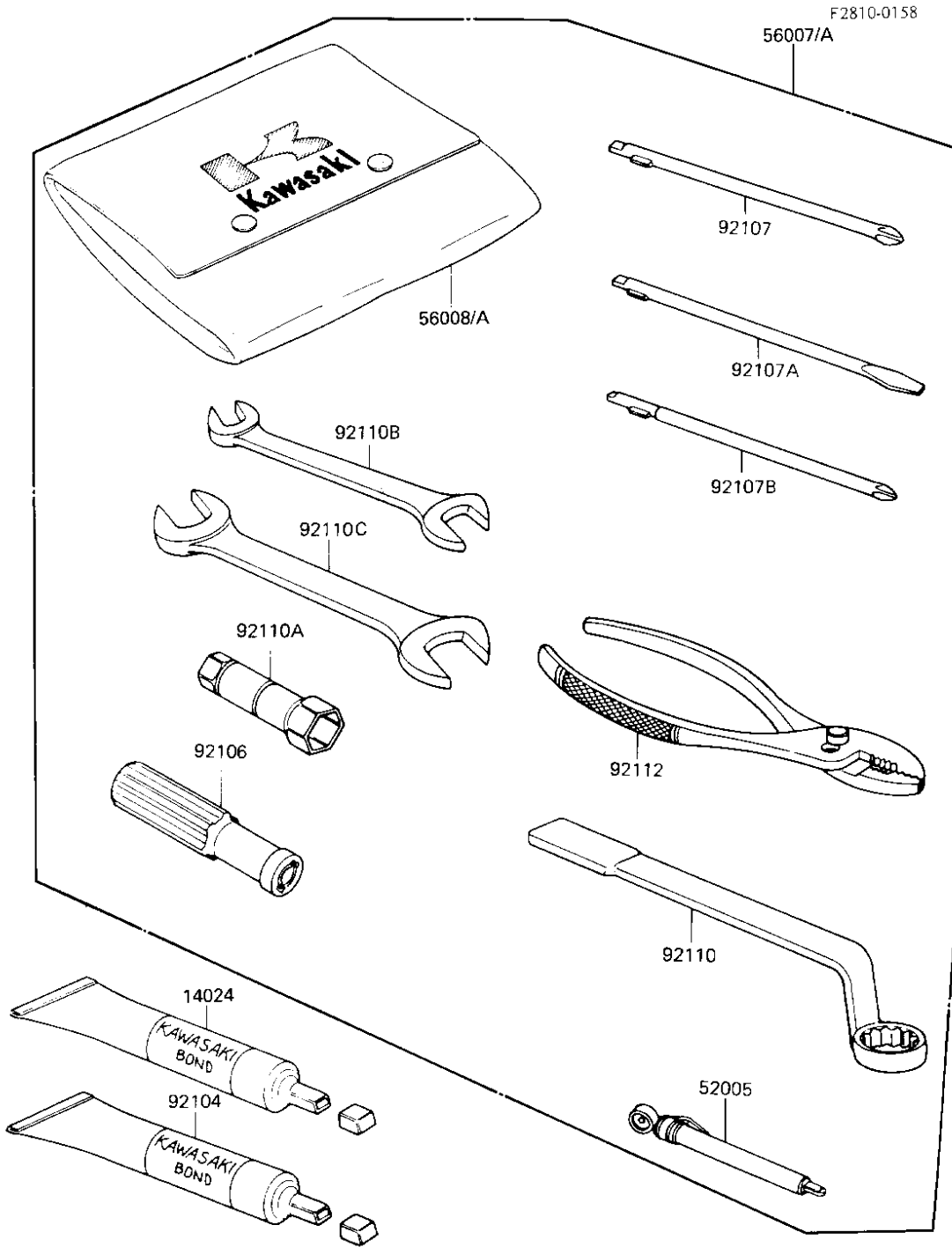


# 1986 Voyager PARTS DIAGRAM

## OWNER TOOLS



Ref	Part No.
14	
50	
50	
50	
50	
50	
92	
92	
92	
92	
92	
92	
92	
92	

# 1986 Voyager PARTS LIST

## OWNER TOOLS

ITEM NAME	PART NUMBER	QUANTITY
BOND,#10 (Ref # 14024)	56019-120	1
GAUGE,AIR,3.5KG/CM2 (Ref # 52005)	52005-1031	1
TOOLKIT (Ref # 56007A)	56007-1178	1
BAG,TOOL (Ref # 56008A)	56008-1051	1
LIQUID GASKET (Ref # 92104)	92104-002	1
GRIP,SCREW DRIVER (Ref # 92106)	92106-1002	1
TOOL-DRIVER (Ref # 92107)	92107-1052	1
92107-1052 (Canada) (Ref # 92107A)	92107-007	1
92107-1002 (Canada) (Ref # 92107B)	92107-008	1
WRENCH,17M/M (Ref # 92110)	92110-1026	1
WRENCH,SPARK PLUG (Ref # 92110A)	92110-1027	1
TOOL-WRENCH,OPEN END (Ref # 92110B)	92110-1038	1
TOOL-WRENCH,OPEN END, (Ref # 92110C)	92110-1153	1
PLIERS,160MM (Ref # 92112)	92112-003	1