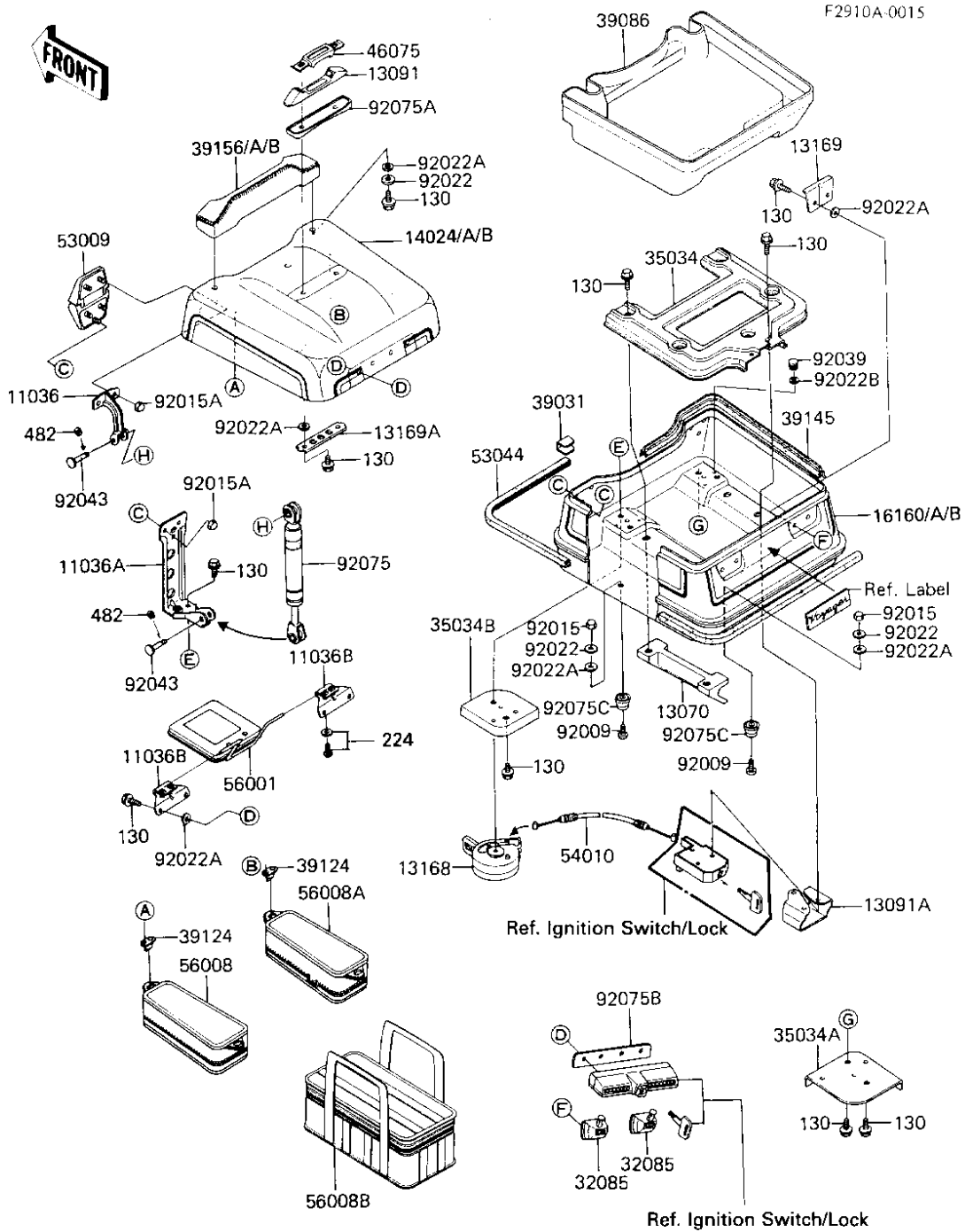


1986 Voyager PARTS DIAGRAM

TRUNK



F2910A-0015

**Re
No**

11
11
11
13
13
13
13
13
13
14
14
14
14
16
16
32
35
35
35
35
35
35
35
35
35
46
52
53
54
56
56
56
56
92
92
92
92
92
92

1986 Voyager PARTS LIST

TRUNK

ITEM NAME	PART NUMBER	QUANTITY
BRACKET-A,TRUNK DAMPE (Ref # 11036)	11036-1866	2
BRACKET-A,TRUNK DAMPE (Ref # 11036A)	11036-1867	2
BRACKET-A,TRUNK COVER (Ref # 11036B)	11036-1893	2
GUIDE,TRUNK (Ref # 13070)	13070-1079	2
HOLDER,TRUNK GRIP (Ref # 13091)	13091-1179	1
HOLDER,TRUNK LOCK (Ref # 13091A)	13091-1256	1
LEVER,TRUNK LOCK (Ref # 13168)	13168-1141	1
PLATE,TRUNK STOPPER (Ref # 13169)	13169-1590	2
PLATE,TRUNK (Ref # 13169A)	13169-1591	1
COVER,TRUNK.EBONY (Ref # 14024A)	14025-5186-H8	1
COVER,TRUNK,L.V.RED (Ref # 14024B)	14025-5240-P5	1
BODY,TRUNK,L.V.RED (Ref # 16160B)	16160-5013-P5	1
STOPPER,TRUNK LOCK (Ref # 32085)	32085-1125	2
REINFORCE,TRUNK BOTTO (Ref # 35034)	35034-1089	1
REINFORCE,TRUNK DAMPE (Ref # 35034A)	35034-1154	1
REINFORCE,TRUNK DAMPE (Ref # 35034B)	35034-1156	1
CAP-END,TRUNK TRIM (Ref # 39031)	39031-1053	1
PAD,STORAGE (Ref # 39086)	39086-1001	1
SNAP,TRUNK BAG (Ref # 39124)	39124-1001	4
TRIM-SEAL,TRUNK (Ref # 39145)	39145-1002	1
PAD,TRUNK (Ref # 39156B)	39156-1060	1
GRIP,TRUNK (Ref # 46075)	46075-1034	1
HINGE,TRUNK (Ref # 53009)	53009-1035	2
TRIM,TRUNK SIDE (Ref # 53044)	53044-1041	1
CABLE,TRUNK LOCK (Ref # 54010)	54010-1007	1
MIRROR-ASSY (Ref # 56001)	56001-1137	1
BAG,LH (Ref # 56008)	56008-1021	1
BAG,RH (Ref # 56008A)	56008-1022	1
BAG,CENTER (Ref # 56008B)	56008-1024	1

1986 Voyager PARTS LIST

TRUNK

ITEM NAME	PART NUMBER	QUANTITY
SCREW,6X28 (Ref # 92009)	92009-1066	4
NUT,LOCK 6MM (Ref # 92015)	92015-1262	4
NUT,LOCK 5MM (Ref # 92015A)	92015-1263	10
WASHER,7X28X1.6,BLACK (Ref # 92022)	92022-1392	7
WASHER,RUBBER (Ref # 92022A)	92022-1477	17
WASHER,3.5X10X1.0 (Ref # 92022B)	92022-1483	4
RIVET (Ref # 92039)	92039-1041	4
PIN (Ref # 92043)	92043-1142	4
DAMPER,GASS (Ref # 92075)	92075-1449	2
DAMPER,TRUNK GRIP (Ref # 92075A)	92075-1451	1
DAMPER,TRUNK LOCK (Ref # 92075B)	92075-1479	1
DAMPER,TRUMK & SIDE B (Ref # 92075C)	92075-1510	4
BOLT-FLANGED,6X16 (Ref # 130)	130C0616	24
SCREW-PAN-WP-CROS,5X1 (Ref # 224)	224C0514	4
CIRCLIP-TYPE-E (Ref # 482)	482L4000	4