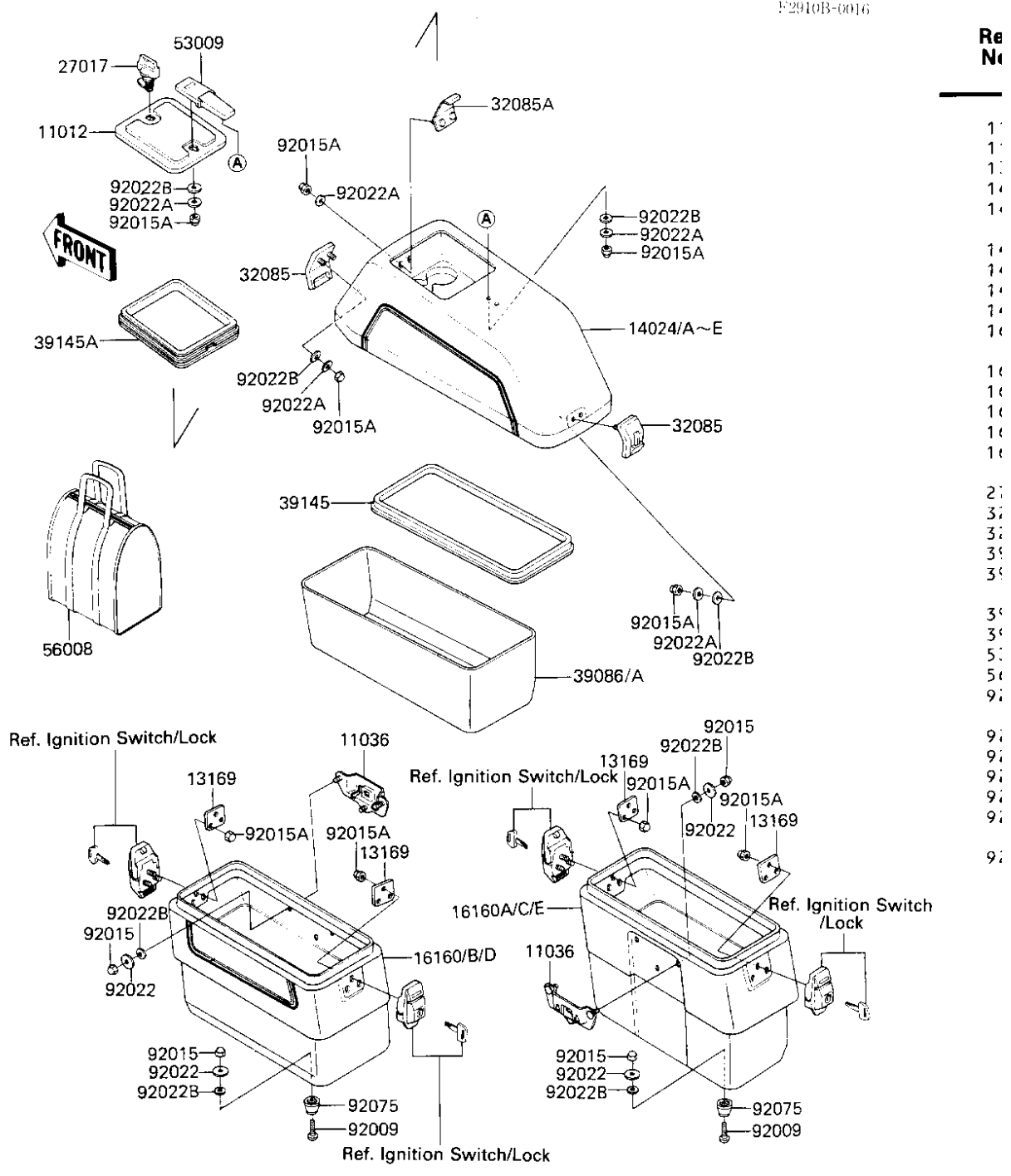


# 1983 Voyager PARTS DIAGRAM

## SADDLEBAGS

F2910B-0016



# 1983 Voyager PARTS LIST

## SADDLEBAGS

ITEM NAME	PART NUMBER	QUANTITY
CAP,SIDEBAG,LH (Ref # 11012)	11012-1295	2
BRACKET-A,SIDEBAG (Ref # 11036)	11036-1912	2
PLATE,SIDEBAG (Ref # 13169)	13169-1600	4
COVER,SIDEBAG,LH,EBON (Ref # 14024)	14025-5184-H8	1
COVER,SIDEBAG,RH.EBON (Ref # 14024A)	14025-5185-H8	1
BODY,SIDEBAG,LH,EBONY (Ref # 16160)	16160-5008-H8	1
BODY,SIDEBAG RH,EBONY (Ref # 16160A)	16160-5009-H8	1
LOCK,BAG (Ref # 27017)	27017-1103	2
STOPPER,SIDEBAG (Ref # 32085)	32085-1122	4
STOPPER,SIDEBAGCOVER (Ref # 32085A)	32085-1154	2
PAD,STORAGE TRUNK (Ref # 39086)	39086-1003	1
PAD,STORAGE (Ref # 39086A)	39086-1004	1
TRIM-SEAL,SIDEBAG (Ref # 39145)	39145-1003	2
TRIM-SEAL,SIDE BAG (Ref # 39145A)	39145-1052	2
HINGE,SIDEBAG (Ref # 53009)	53009-1039	2
BAG,SIDE (Ref # 56008)	56008-1025	2
SCREW,6X28 (Ref # 92009)	92009-1066	8
NUT,LOCK 6MM (Ref # 92015)	92015-1262	14
NUT,LOCK 5MM (Ref # 92015A)	92015-1263	28
WASHER,7X28X1.6,BLACK (Ref # 92022)	92022-1392	14
WASHER,5.5X20X1.2 (Ref # 92022A)	92022-1405	16
WASHER,RUBBER (Ref # 92022B)	92022-1477	26
DAMPER,TRUNK & SIDE B (Ref # 92075)	92075-1510	8