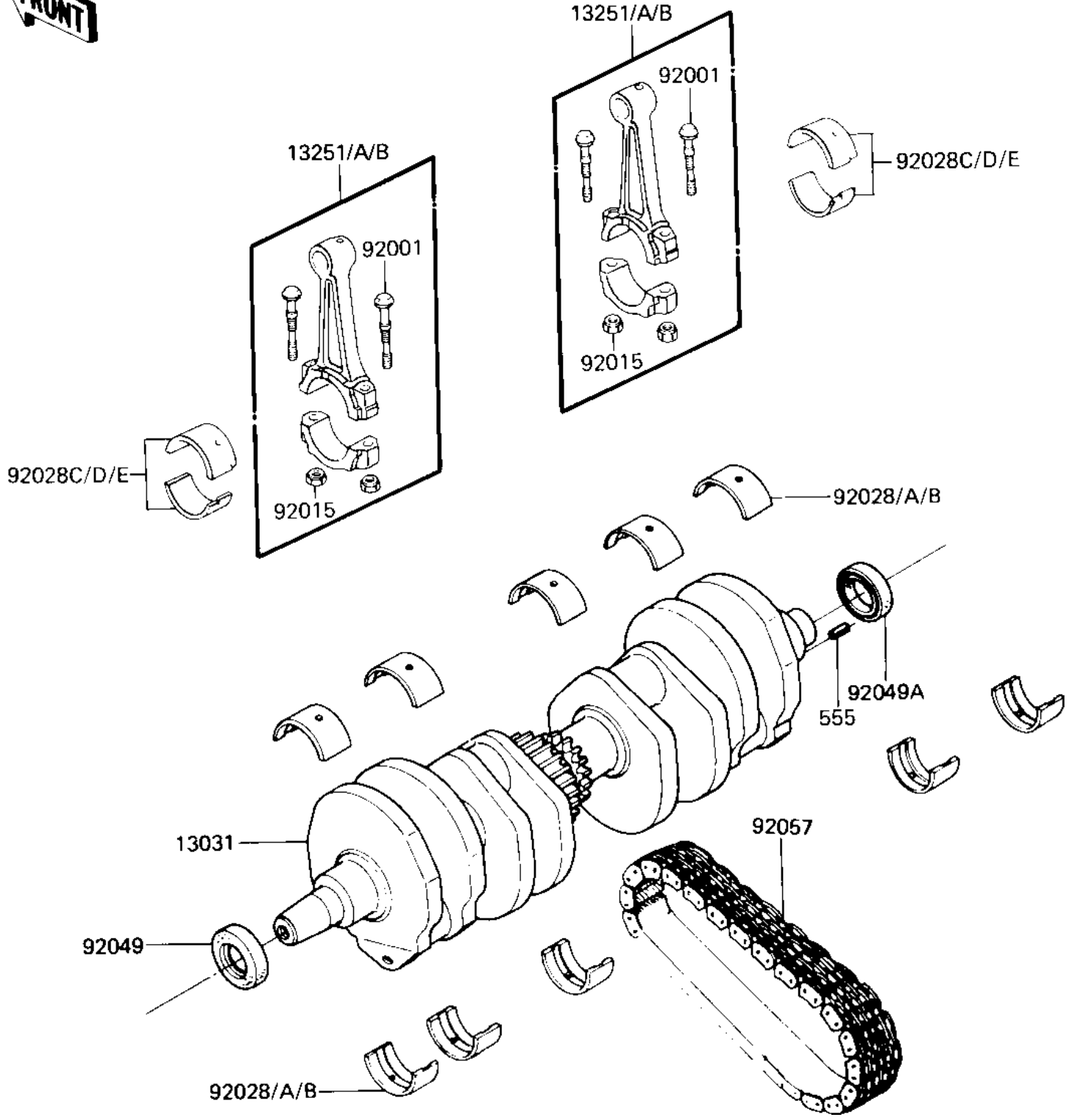


# 1984 GPz 750 Turbo PARTS DIAGRAM

CRANKSHAFT

E1321-0065



# 1984 GPz 750 Turbo PARTS LIST

## CRANKSHAFT

| ITEM NAME                            | PART NUMBER   | QUANTITY |
|--------------------------------------|---------------|----------|
| CRANKSHAFT-COMP (Ref # 13031)        | 13031-1314    | 1        |
| ROD-ASSY-CONNECTING,K (Ref # 13251)  | 13251-1054-KK | 4        |
| ROD-ASSY-CONNECTING,K (Ref # 13251A) | 13251-1054-KK | 4        |
| ROD-ASSY-CONNECTING,K (Ref # 13251B) | 13251-1054-KK | 4        |
| BOLT,CONNECTING ROD,8 (Ref # 92001)  | 92001-1887    | 8        |
| NUT,FLANGED,8MM (Ref # 92015)        | 92015-1311    | 8        |
| BUSHING,CRANKSHAFT (Ref # 92028)     | 92028-1100    | AR       |
| BUSHING,CRANKSHAFT (Ref # 92028A)    | 92028-1101    | AR       |
| BUSHING,CRANKSHAFT (Ref # 92028B)    | 92028-1102    | AR       |
| BUSHING,CONNECTING RO (Ref # 92028C) | 92028-1203    | AR       |
| BUSHING,CONNECTING RO (Ref # 92028D) | 92028-1204    | AR       |
| BUSHING,CONNECTING RO (Ref # 92028E) | 92028-1205    | AR       |
| SEAL-OIL,HSCY25X39X7 (Ref # 92049)   | 92049-1090    | 1        |
| OIL SEAL,HSCY25397 (Ref # 92049A)    | 92050-081     | 1        |
| CHAIN,63-139X50L(TSUB (Ref # 92057)  | 92057-1151    | 1        |
| PIN-SPRING,4X8 (Ref # 555)           | 555A0408      | 1        |