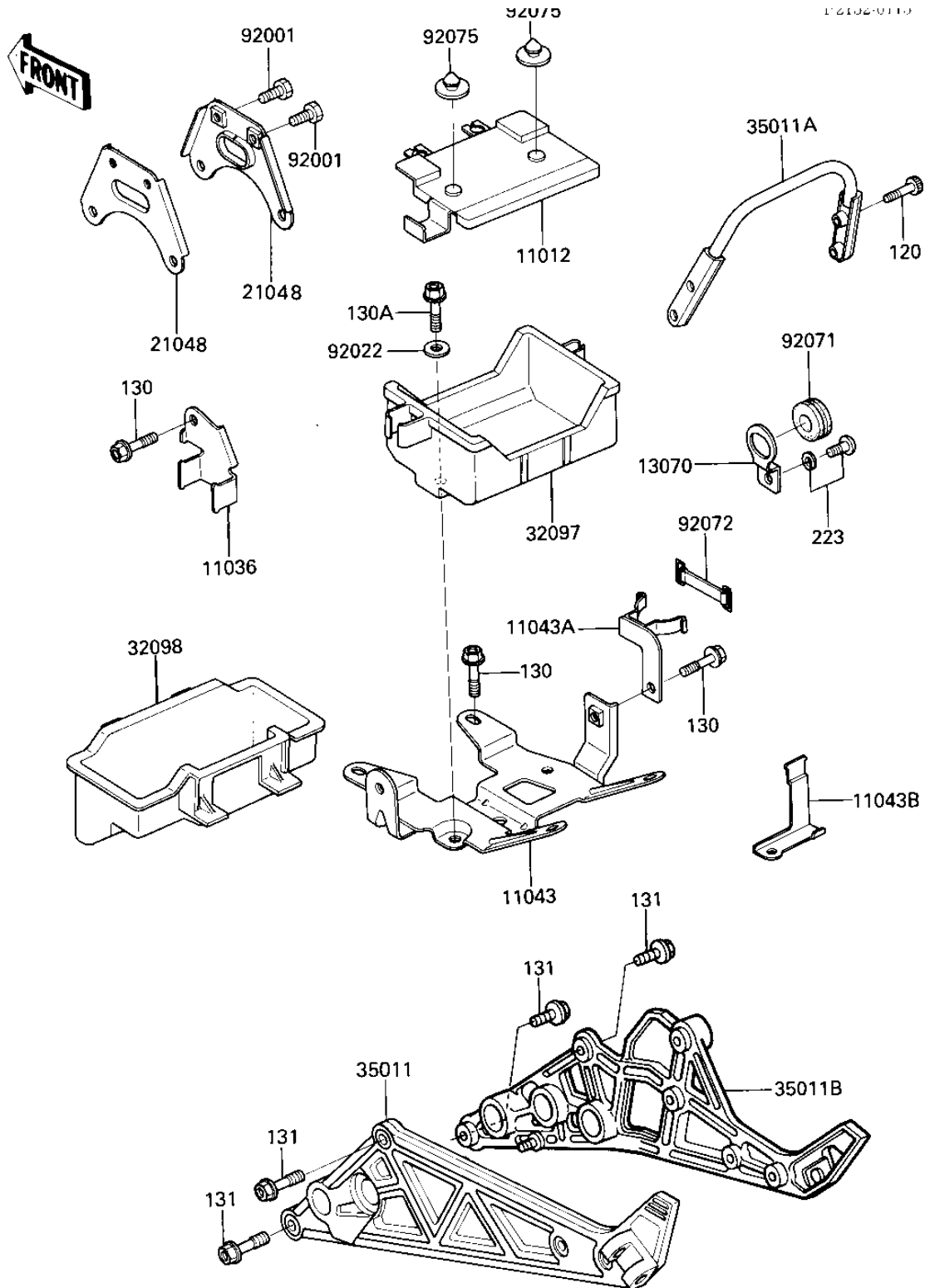


1984 GPz 750 Turbo PARTS DIAGRAM

BATTERY CASE/TOOL CASE



1984 GPz 750 Turbo PARTS LIST

BATTERY CASE/TOOL CASE

ITEM NAME	PART NUMBER	QUANTITY
CAP,BATTERY (Ref # 11012)	11012-1292	1
BRACKET-A,MAGNETIC SW (Ref # 11036)	11036-1968	1
BRACKET-B,BATTERY CAS (Ref # 11043)	11043-1245	1
BRACKET-B,FILTER (Ref # 11043A)	11043-1246	1
BRACKET-B,CONTROL UNI (Ref # 11043B)	11043-1251	1
GUIDE,SHOCKABSORBER (Ref # 13070)	13070-1085	1
PLATE-COIL (Ref # 21048)	21048-1006	2
CASE-BATTERY (Ref # 32097)	32097-1065	1
UNAVAILABLE IN PRICE BOOK (Ref # 32098)	32098-1026	1
STAY,MUFFLER,LH (Ref # 35011)	35011-1160	1
STAY,GRAB RALL (Ref # 35011A)	35011-1201	1
STAY,MUFFLER,RH (Ref # 35011B)	35011-1211	1
BOLT,HEX HEAD,6MM (Ref # 92001)	92001-137	4
WASHER-PLAIN,7MM (Ref # 92022)	92022-240	1
GROMMET (Ref # 92071)	92071-056	1
BAND,AIR CLEANER FITT (Ref # 92072)	92072-1017	1
DAMPER RUBBER (Ref # 92075)	92075-078	2
BOLT-SOCKET,6X45,BLAC (Ref # 120)	120S0645	4
BOLT,FLANGED,6X10 (Ref # 130)	130B0610	6
BOLT (Ref # 130A)	130B0612	1
BOLT-FLANGED,10X25,BL (Ref # 131)	131J1025	4
SCREW-PAN-WS-CROS (Ref # 223)	223B0612	1