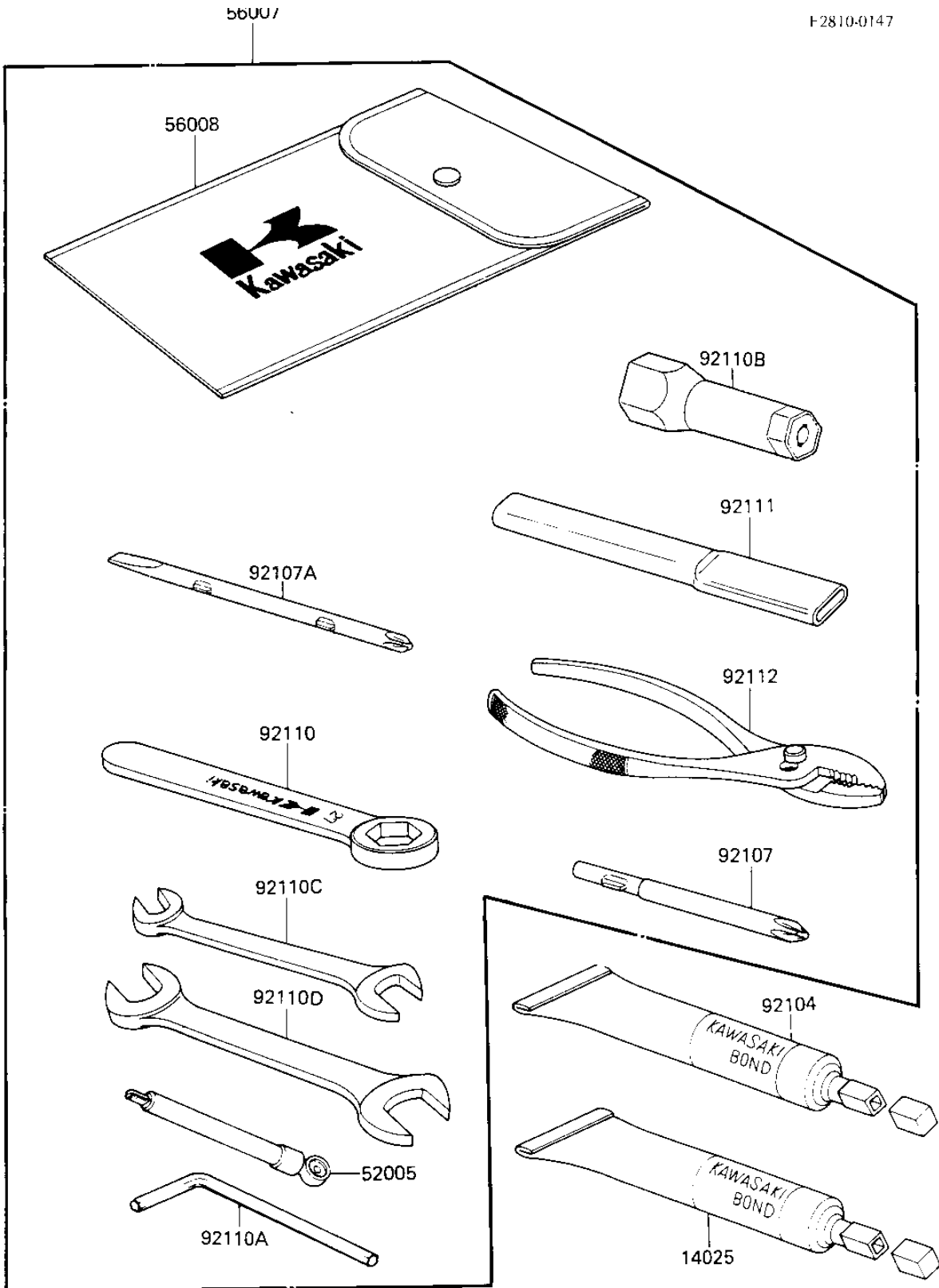


1984 GPz 750 Turbo PARTS DIAGRAM

OWNER TOOLS

56007

F2810-0147



1984 GPz 750 Turbo PARTS LIST

OWNER TOOLS

| ITEM NAME | PART NUMBER | QUANTITY |
|--------------------------------------|-------------|----------|
| BOND,#10 (Ref # 14025) | 56019-120 | 1 |
| GAUGE,AIR,3.5KG/CM2 (Ref # 52005) | 52005-1031 | 1 |
| TOOLKIT (Ref # 56007) | 56007-1287 | 1 |
| BAG,TOOLKIT (Ref # 56008) | 56008-1019 | 1 |
| GASKET-LIQUID,BLACK (Ref # 92104) | 92104-1003 | 1 |
| SCREW DRIVER #3 PHILIP (Ref # 92107) | 92107-005 | 1 |
| 92107-1052 (Canada) (Ref # 92107A) | 92107-1051 | 1 |
| TOOL-WRENCH,BOX END,2 (Ref # 92110) | 92110-1147 | 1 |
| TOOL-WRENCH,ALLEN,8MM (Ref # 92110A) | 92110-1108 | 1 |
| 92110-1115 (Canada) (Ref # 92110B) | 92110-1114 | 1 |
| TOOL-WRENCH,OPEN END, (Ref # 92110C) | 92110-1152 | 1 |
| TOOL-WRENCH,OPEN END, (Ref # 92110D) | 92110-1153 | 1 |
| TOOL-WRENCH,OPEN END, (Ref # 92111) | 92111-004 | 1 |
| PLIERS,160MM (Ref # 92112) | 92112-003 | 1 |