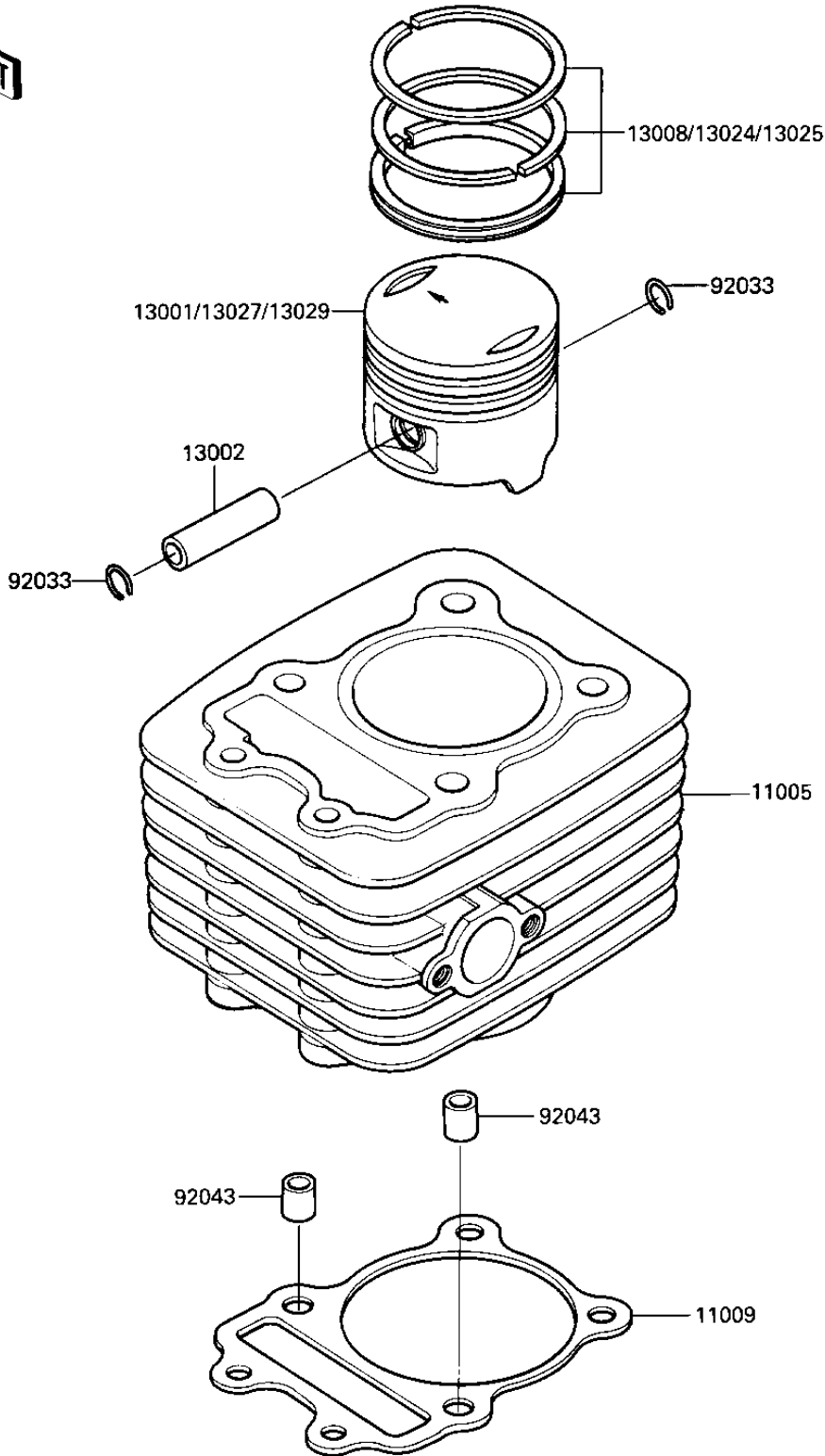


# 1986 KLT110 PARTS DIAGRAM

CYLINDER/PISTON (KLT110-A3)

E1120-0082



# 1986 KLT110 PARTS LIST

## CYLINDER/PISTON (KLT110-A3)

ITEM NAME	PART NUMBER	QUANTITY
CYLINDER-ENGINE (Ref # 11005)	11005-1454	1
GASKET,CYLINDER (Ref # 11009)	11009-1431	1
PISTON-ENGINE,STD (Ref # 13001)	13001-1223	1
PIN-PISTON (Ref # 13002)	13002-1061	1
RING-SET-PISTON,STD (Ref # 13008)	13008-1062	1
RING-SET PISTON LL,0/ (Ref # 13024)	13024-1011	1
RING-SET PISTON L,0/S (Ref # 13025)	13025-1011	1
PISTON-ENGINE LL (Ref # 13027)	13027-1057	1
PISTON-ENGINE L (Ref # 13029)	13029-1060	1
RING-SNAP (Ref # 92033)	92033-1072	2
PIN,DOWEL,8.2X10X14 (Ref # 92043)	92043-1264	2