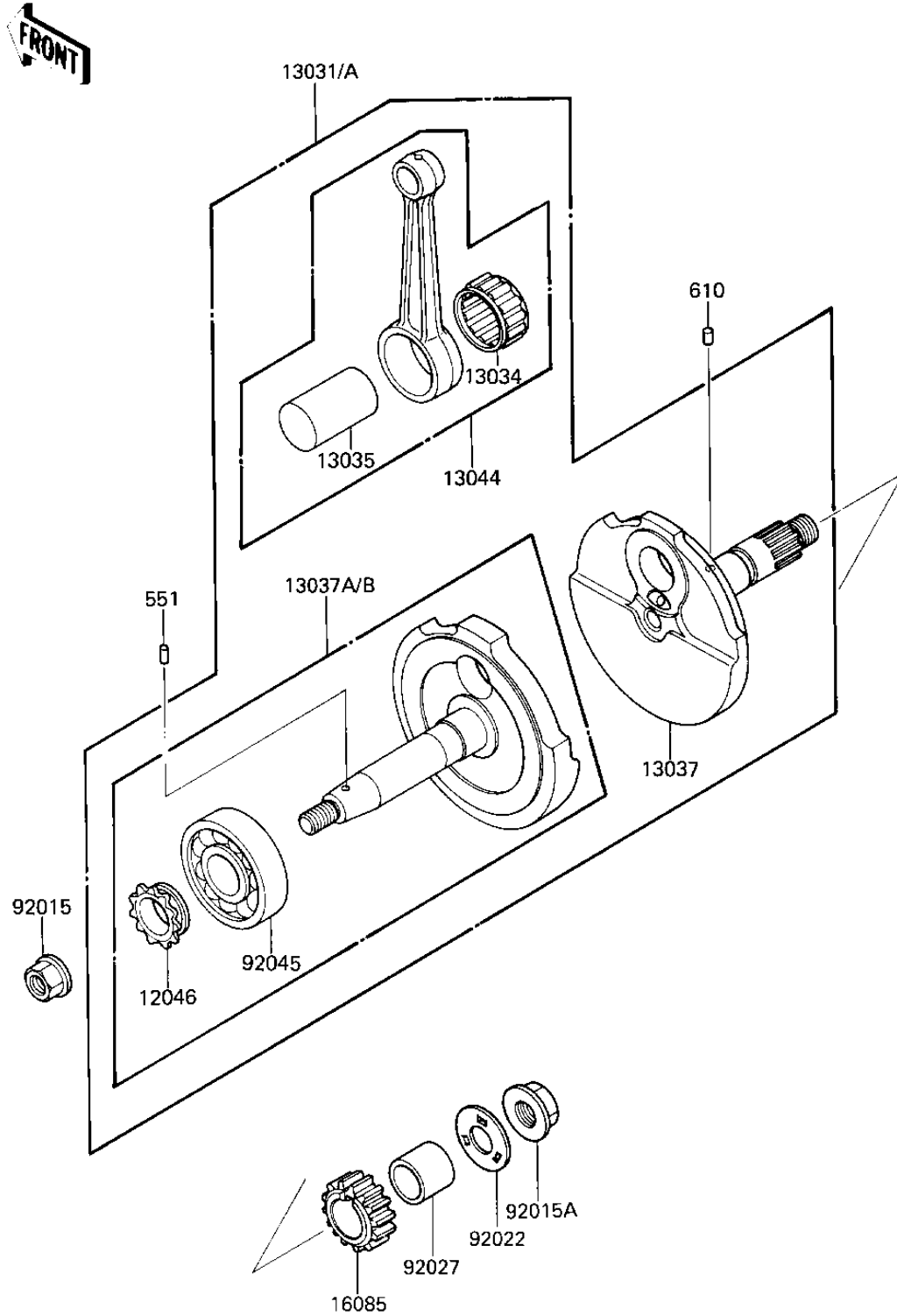


1984 KLT110 PARTS DIAGRAM

CRANKSHAFT

E1321-0085



1984 KLT110 PARTS LIST

CRANKSHAFT

ITEM NAME	PART NUMBER	QUANTITY
SPROCKET,CAM CHAIN,14 (Ref # 12046)	12046-1027	1
CRANKSHAFT-COMP (Ref # 13031)	13031-1183	1
BEARING-BIG END,PK22X (Ref # 13034)	13034-1030	1
PIN-CRANK (Ref # 13035)	13035-1051	1
CRANKSHAFT,RH (Ref # 13037)	13037-1172	1
CRANKSHAFT,LH (Ref # 13037A)	13037-5041	1
SET-CONNECTING ROD (Ref # 13044)	13044-5033	1
GEAR,OIL PUMP,21T (Ref # 16085)	16085-1037	1
NUT,10MM (Ref # 92015)	92015-1415	1
NUT,FLANGED,14MM (Ref # 92015A)	92015-1347	1
WASHER (Ref # 92022)	92022-1669	1
COLLAR (Ref # 92027)	92027-1897	1
BEARING-BALL,#6304 (Ref # 92045)	92045-1107	1
PIN,DOWEL,3X6 (Ref # 551)	551A0306	1
ROLLER,4X4 (Ref # 610)	610A0404	1