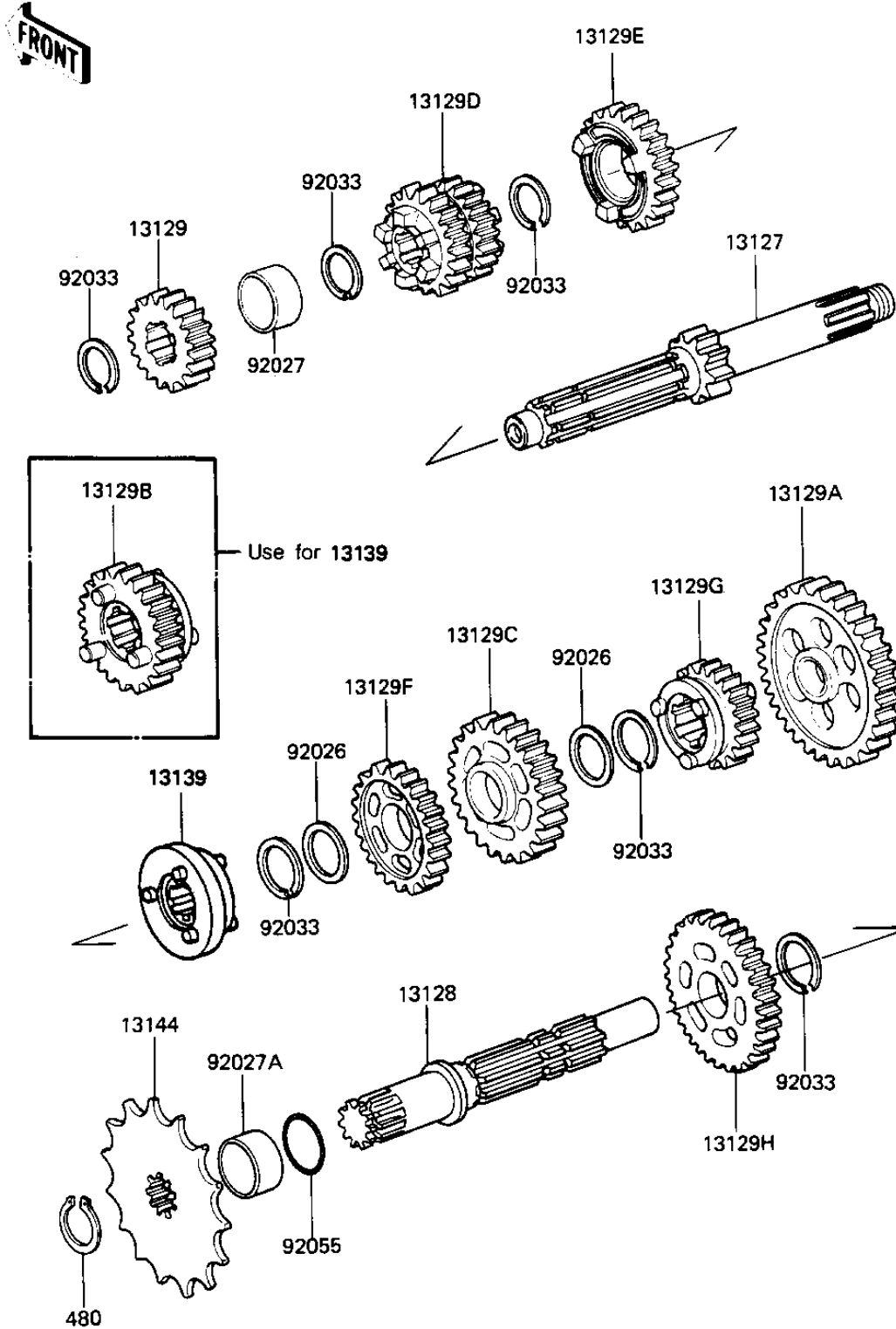


1986 KLT110 PARTS DIAGRAM

TRANSMISSION (KLT110-A1)

E1361-0147



1986 KLT110 PARTS LIST

TRANSMISSION (KLT110-A1)

ITEM NAME	PART NUMBER	QUANTITY
SHAFT-TRANSMISSION IN (Ref # 13127)	13127-1061	1
SHAFT-TRANSMISSION OU (Ref # 13128)	13128-1045	1
GEAR,INPUT,2ND,18T (Ref # 13129)	13129-1244	1
GEAR,OUTPUT LOW,43T (Ref # 13129A)	13260-1320	1
GEAR,OUTPUT,TOP,28T (Ref # 13129B)	13129-1253	1
GEAR,OUTPUT,3RD,34T (Ref # 13129C)	13129-1338	1
GEAR,INPUT,3RD&4TH,21 (Ref # 13129D)	13129-1416	1
GEAR,INPUT,5TH,27T (Ref # 13129E)	13129-1417	1
GEAR,OUTPUT,4TH,27T (Ref # 13129F)	13129-1418	1
GEAR,OUTPUT,5TH,30T (Ref # 13129G)	13129-1419	1
GEAR-OUTPUT 2ND,38T (Ref # 13129H)	13129-1645	1
SPROCKET-OUTPUT,12T (Ref # 13144)	13144-1072	1
SPACER,17.2X23X0.5 (Ref # 92026)	92026-1037	2
COLLAR,17X22X8.5 (Ref # 92027)	92027-1315	1
COLLAR,17X22X14.3 (Ref # 92027A)	92027-1511	1
RING,SNAP (Ref # 92033)	92033-1060	6
RING-O,17MM (Ref # 92055)	92055-1097	1
CIRCLIP 17MM (Ref # 480)	480J1700	1