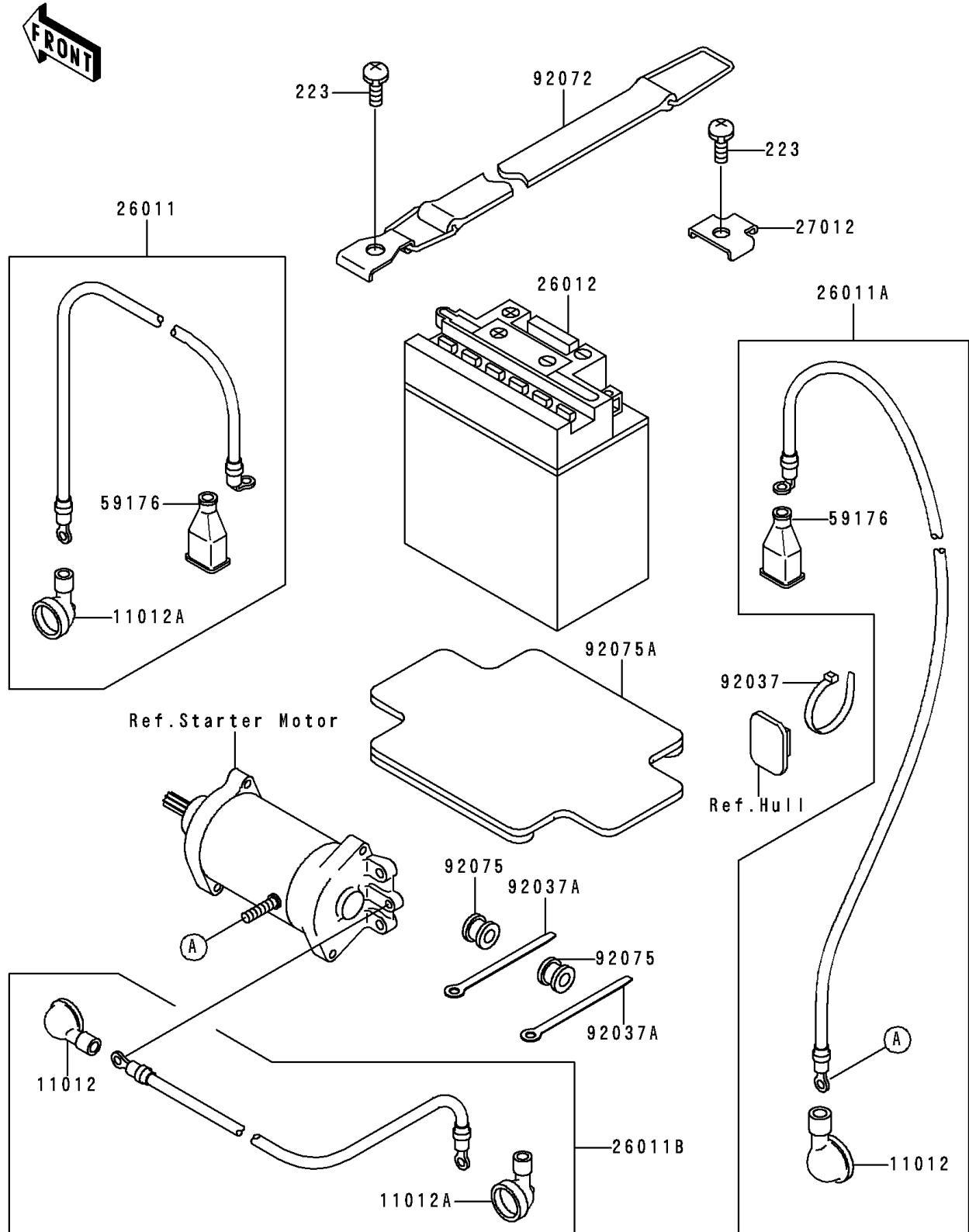


1999 Xi Sport PARTS DIAGRAM

Electrical Equipment

F3181



1999 Xi Sport PARTS LIST

Electrical Equipment

ITEM NAME	PART NUMBER	QUANTITY
SCREW-PAN-WS-CROS,6X14 (Ref # 223)	223R0614	4
CAP (Ref # 11012)	11012-3004	2
CAP,LEAD WIRE (Ref # 11012A)	11012-3726	2
WIRE-LEAD,RELAY-BATTERY (Ref # 26011)	26011-3795	1
WIRE-LEAD,STARTER-BATTERY (Ref # 26011A)	26011-3796	1
WIRE-LEAD,RELAY-STARTER (Ref # 26011B)	26011-3797	1
BATTERY,YB16CL-B,12V 19AH (Ref # 26012)	26012-3727	1
HOOK (Ref # 27012)	27012-3751	2
CAP.,TERMINAL (Ref # 59176)	59176-501	2
CLAMP (Ref # 92037)	92037-1173	1
CLAMP,L=100 (Ref # 92037A)	92037-3736	2
BAND,BATTERY (Ref # 92072)	92072-3748	2
DAMPER (Ref # 92075)	92075-1650	2
DAMPER,BATTERY (Ref # 92075A)	92075-3714	1