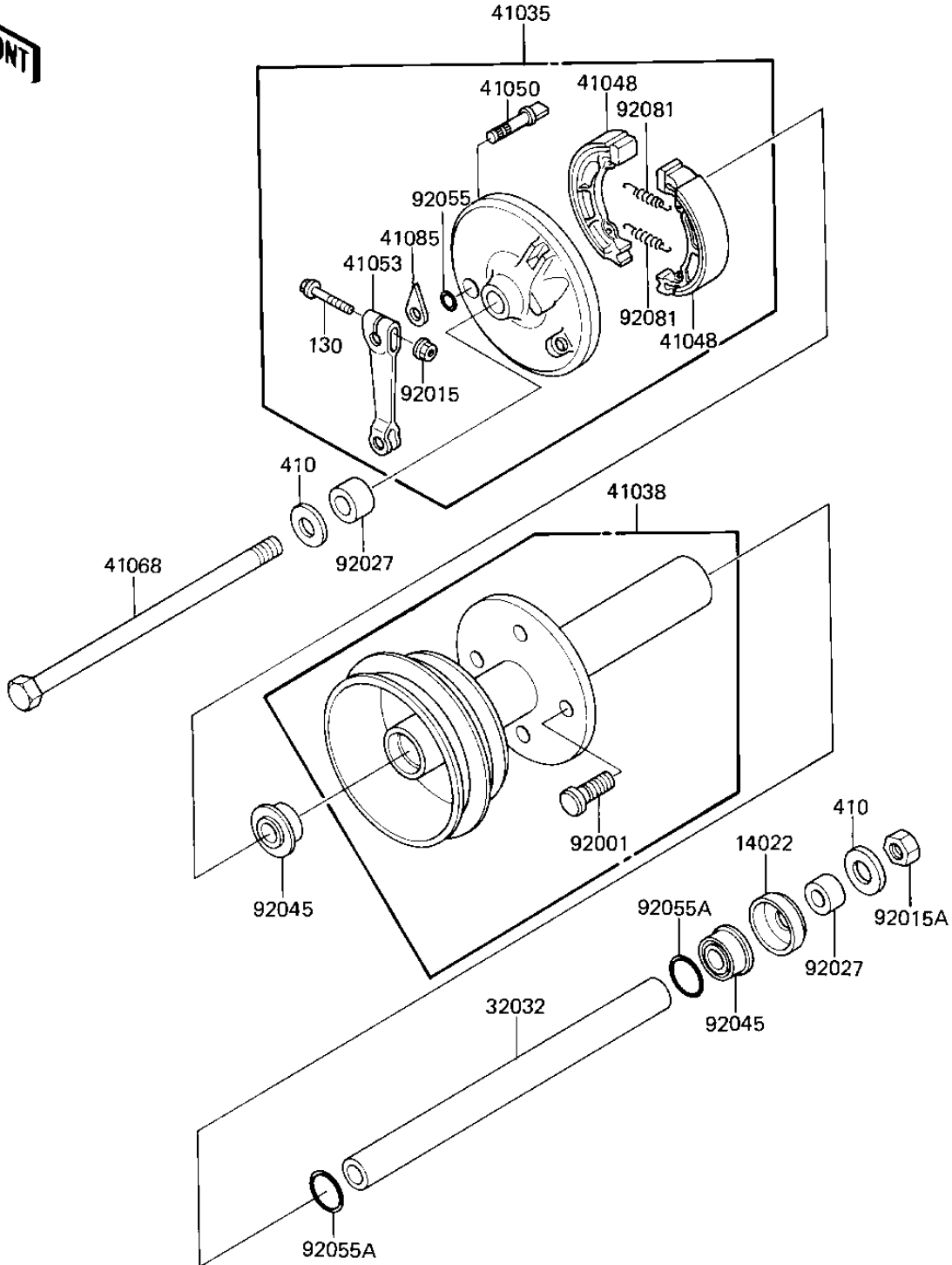


1985 KLT110 PARTS DIAGRAM

FRONT HUB/BRAKE (KLT110-A1)

F2230-0103



1985 KLT110 PARTS LIST

FRONT HUB/BRAKE (KLT110-A1)

ITEM NAME	PART NUMBER	QUANTITY
CAP-BEARING (Ref # 14022)	14022-4003	1
PIPE,SPACER (Ref # 32032)	32032-4109	1
PANEL-ASSY-BRAKE,FR (Ref # 41035)	41035-1164	1
DRUM ASSY,FRONT (Ref # 41038)	41038-4013	1
SHOE-BRAKE (Ref # 41048)	41048-1085	2
CAM SHAFT-FRONT BRAKE (Ref # 41050)	41050-018	1
LEVER FRONT BRAKE CAM (Ref # 41053)	41053-005	1
AXLE,FRONT (Ref # 41068)	41068-4003	1
INDICATOR,FR BK SHOE (Ref # 41085)	41085-013	1
BOLT,LUG (Ref # 92001)	92001-4006	4
NUT,6MM (Ref # 92015)	41072-007	1
NUT,LOCK 14M/M (Ref # 92015A)	92015-1122	1
COLLAR (Ref # 92027)	92027-4009	2
BEARING BALL HUB-ASSY (Ref # 92045)	92045-4005	2
"O" RING,11MM (Ref # 92055)	92055-004	1
"O" RING (Ref # 92055A)	92055-4001	2
SPRING,BRAKE SHOE (Ref # 92081)	92081-1766	2
BOLT,FLANGED,6X25 (Ref # 130)	130G0625	2
WASHER PLAIN 16MM (Ref # 410)	410B1600	2