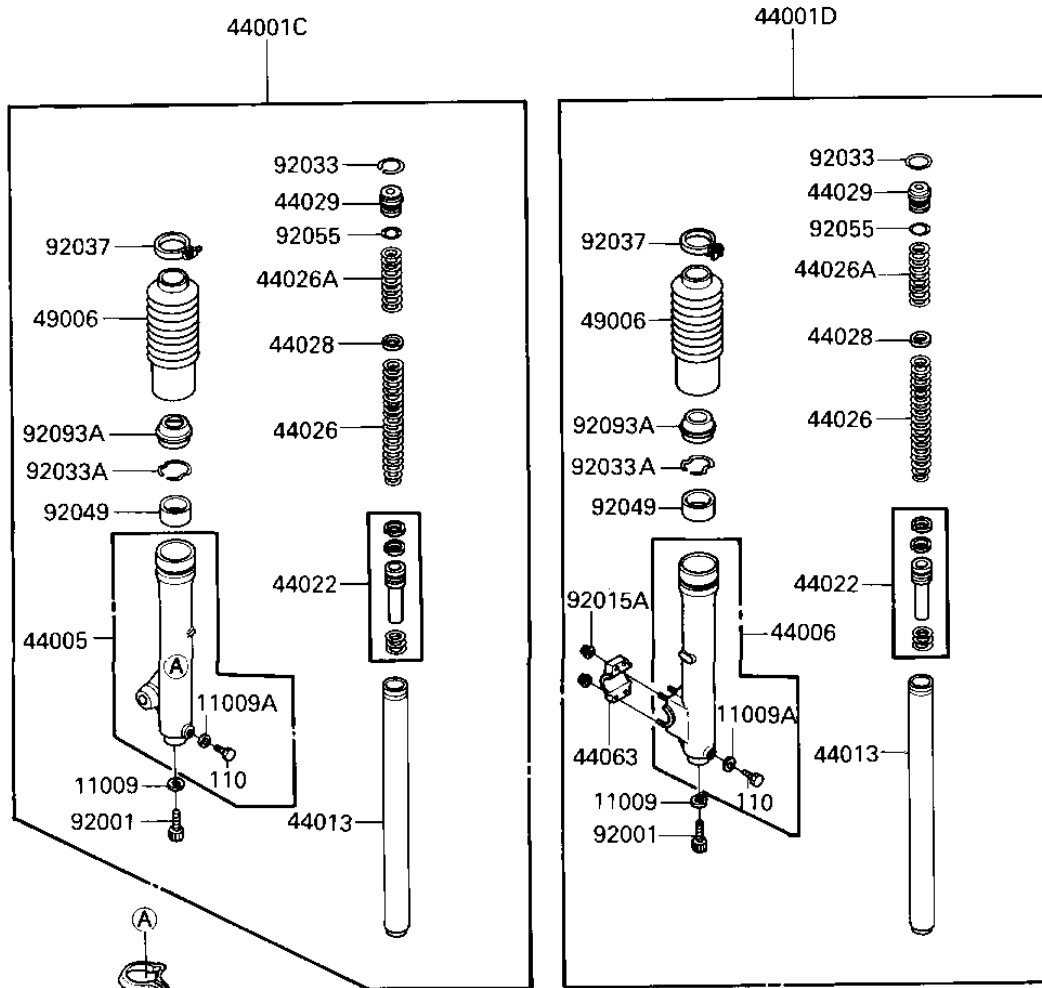
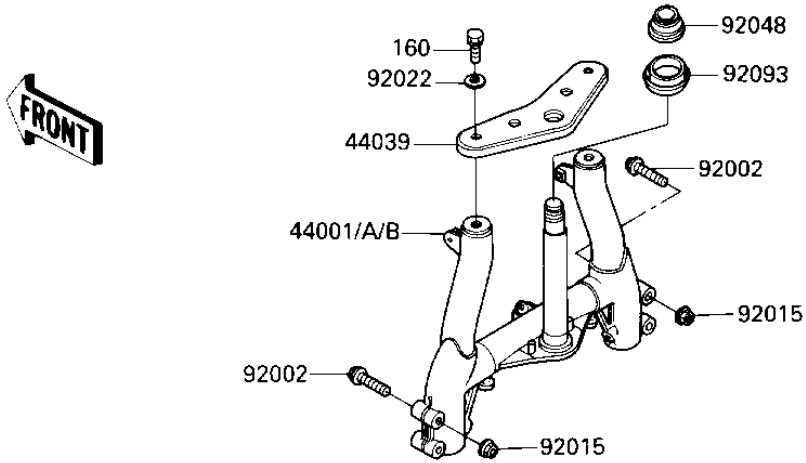


# 1986 KLT110 PARTS DIAGRAM

FRONT FORK (KLT110-A2/A3)

F2340-0237



# 1986 KLT110 PARTS LIST

## FRONT FORK (KLT110-A2/A3)

ITEM NAME	PART NUMBER	QUANTITY
GASKET,FORK CYL BOLT (Ref # 11009)	44045-051	2
GASKET,DRAIN PLUG (Ref # 11009A)	44045-047	2
FORK-FR,EBONY (Ref # 44001A)	44001-1563-8G	1
FORK-FR,W.RED (Ref # 44001B)	44001-1563-8R	1
FORK-FRONT,LH (Ref # 44001C)	44001-1568	1
FORK-FRONT,RH (Ref # 44001D)	44001-1569	1
PIPE-LEFT FORK OUTER (Ref # 44005)	44005-1240	1
PIPE-RIGHT FORK OUTER (Ref # 44006)	44006-1239	1
PIPE-FORK INNER (Ref # 44013)	44013-1215	2
CYLINDER-FORK (Ref # 44022)	44022-1172	2
SPRING-FRONT FORK (Ref # 44026)	44026-1285	2
SPRING-FRONT FORK (Ref # 44026A)	44026-1286	2
GUIDE-FORK SPRING (Ref # 44028)	44028-1053	2
GUIDE,SPRING (Ref # 44029)	44029-022	2
HOLDER FORK UPPER-BLK (Ref # 44039)	44039-4006	1
HOLDER-FRONT AXLE (Ref # 44063)	44063-1052	1
BOOT,FORK (Ref # 49006)	49006-1163	2
BOLT,FORK DRAIN (Ref # 92001)	92001-1464	2
BOLT,FLANGED,10X50 (Ref # 92002)	92002-1314	4
NUT,FLANGED,10MM,BLAC (Ref # 92015)	92015-1180	4
NUT,FLANGED (Ref # 92015A)	92015-1399	4
WASHER,10.5X35X4,BLAC (Ref # 92022)	92022-4027	2
CIRCLIP (Ref # 92033)	44044-023	2
CIRCLIP,FORK OUTER (Ref # 92033A)	92033-1028	2
CLAMP (Ref # 92037)	92037-1519	2
CONE STERNG BERG LOW (Ref # 92048)	92047-010	1
OIL SEAL (Ref # 92049)	92049-1069	2
"O" RING (Ref # 92055)	44046-025	2
SEAL,STEERING STEM (Ref # 92093)	44010-027	1

# 1986 KLT110 PARTS LIST

FRONT FORK (KLT110-A2/A3)

ITEM NAME	PART NUMBER	QUANTITY
SEAL,FORK OUTER (Ref # 92093A)	92093-1167	2
BOLT HEX HEAD 6X8 (Ref # 110)	110B0608	2
BOLT-FINE-WS (Ref # 160)	160J1030	2