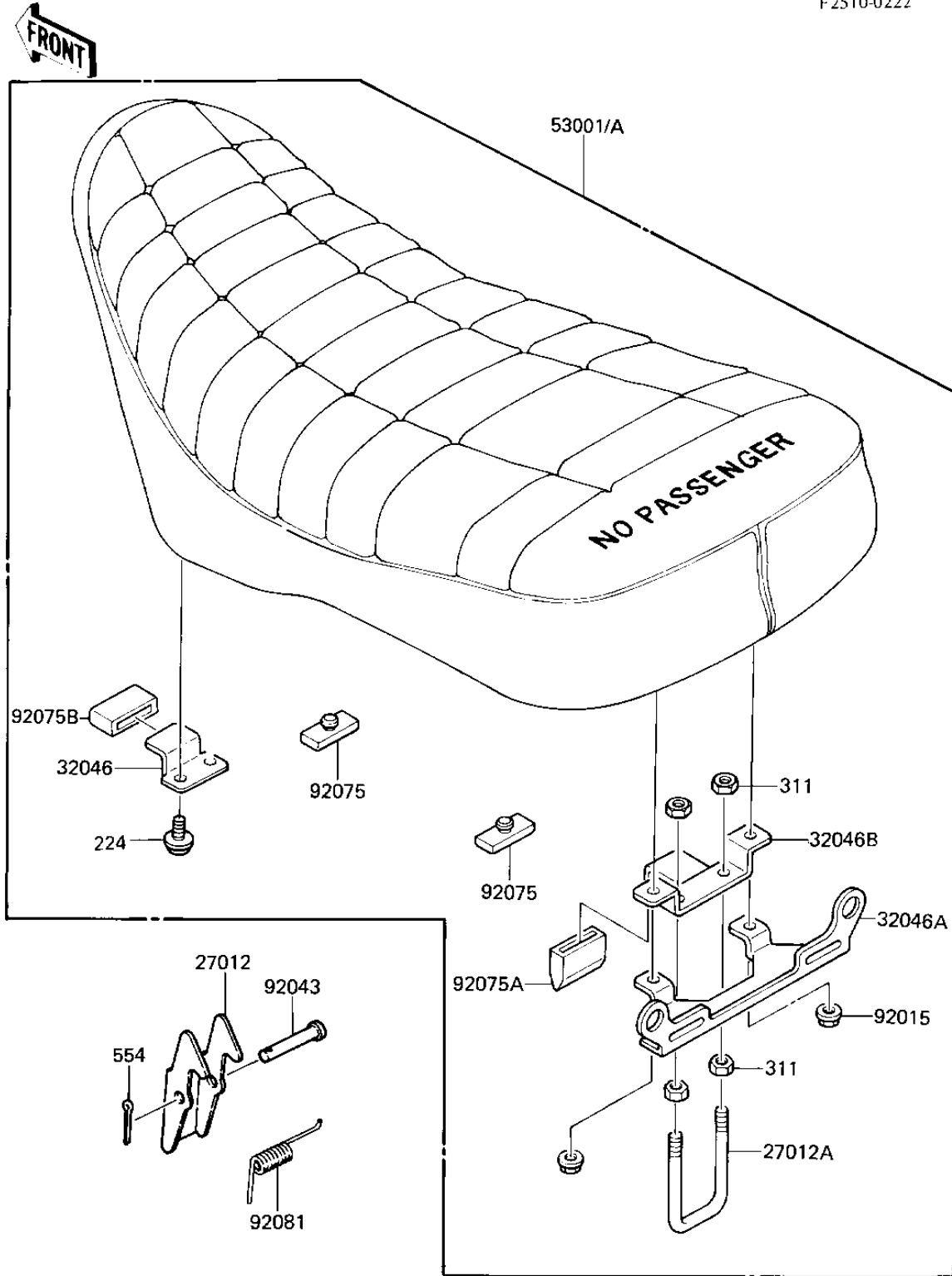


1985 KLT110 PARTS DIAGRAM

SEAT (KLT110-A1/A2)

F2510-0222



1985 KLT110 PARTS LIST

SEAT (KLT110-A1/A2)

ITEM NAME	PART NUMBER	QUANTITY
HOOK (Ref # 27012)	27012-4009	1
HOOK,SEAT (Ref # 27012A)	27012-4010	1
BRACKET-SEAT,FR (Ref # 32046)	32046-4018	1
BRACKET-SEAT,TIE DOWN (Ref # 32046A)	32046-4019	1
BRACKET,SEAT,RR (Ref # 32046B)	32046-4025	1
SEAT-ASSY (Ref # 53001)	53001-1397	1
NUT-6MM (Ref # 92015)	92015-1078	2
PIN, DUAL SEAT PIVOT (Ref # 92043)	53011-006	1
DAMPER RUBBER,SEAT (Ref # 92075)	92075-1054	4
DAMPER RUBBER,SEAT (Ref # 92075A)	92075-219	1
DAMPER,SEAT (Ref # 92075B)	92075-4039	1
SPRING (Ref # 92081)	92081-4020	1
SCREW,6X14 (Ref # 224)	92009-1333	2
NUT 6MM (Ref # 311)	311B0600	4
PIN,SNAP (Ref # 554)	554A0600	1