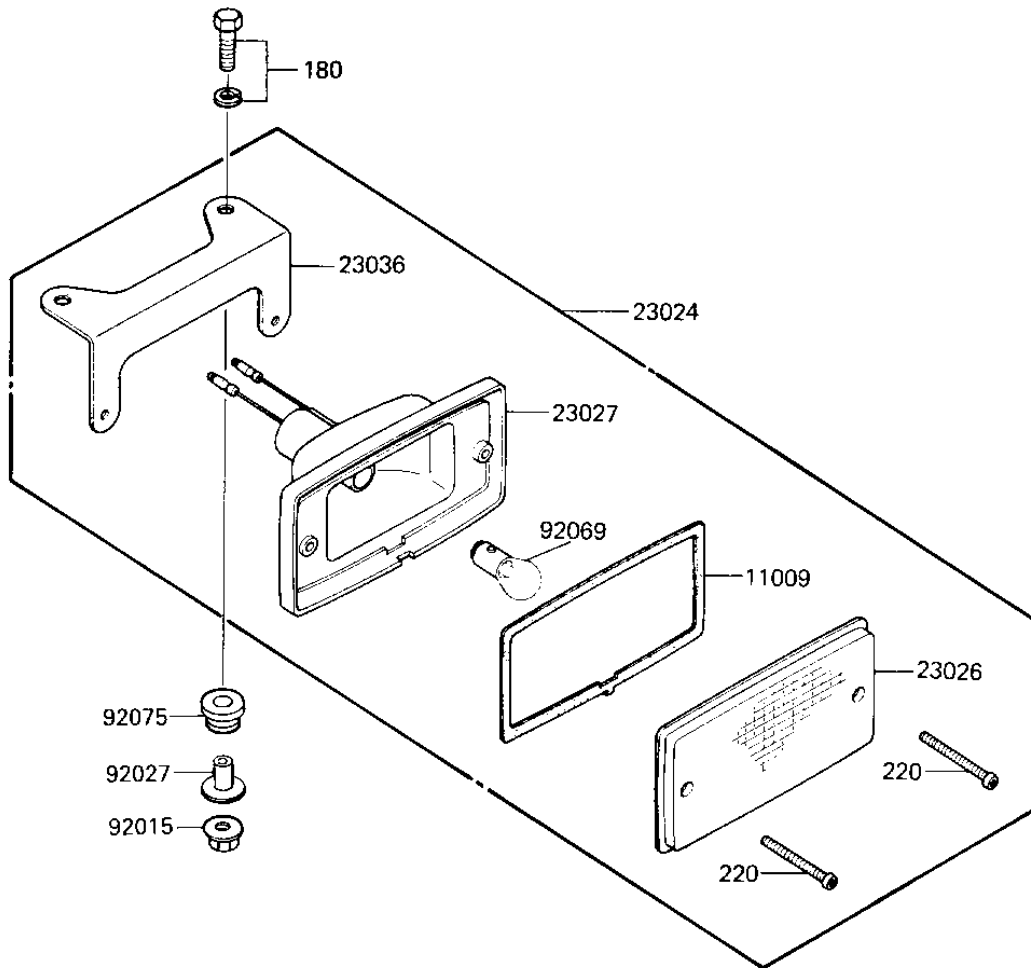


# 1985 KLT110 PARTS DIAGRAM

TAILLIGHT

F2720-0168



# 1985 KLT110 PARTS LIST

## TAILLIGHT

| ITEM NAME                         | PART NUMBER | QUANTITY |
|-----------------------------------|-------------|----------|
| GASKET (Ref # 11009)              | 11009-4004  | 1        |
| LAMP-ASSY-TAIL (Ref # 23024)      | 23024-4002  | 1        |
| LENS,TAIL LAMP (Ref # 23026)      | 23026-4003  | 1        |
| BODY-COMP-TAIL LAMP (Ref # 23027) | 23027-4001  | 1        |
| BRACKET-TAIL LAMP (Ref # 23036)   | 23036-4004  | 1        |
| NUT-6MM (Ref # 92015)             | 92015-1078  | 2        |
| COLLAR (Ref # 92027)              | 92027-1045  | 2        |
| BULB,12V 4CP (Ref # 92069)        | 92069-1012  | 1        |
| DAMPER RUBBER (Ref # 92075)       | 92075-277   | 2        |
| BOLT-UPSET-WS (Ref # 180)         | 180C0622    | 2        |
| SCREW-PAN-CROS (Ref # 220)        | 220B0420    | 2        |